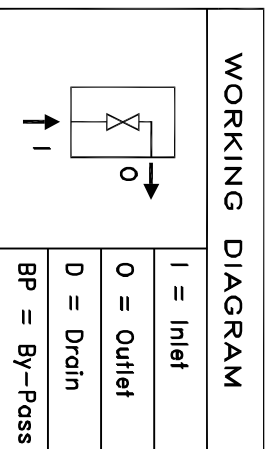
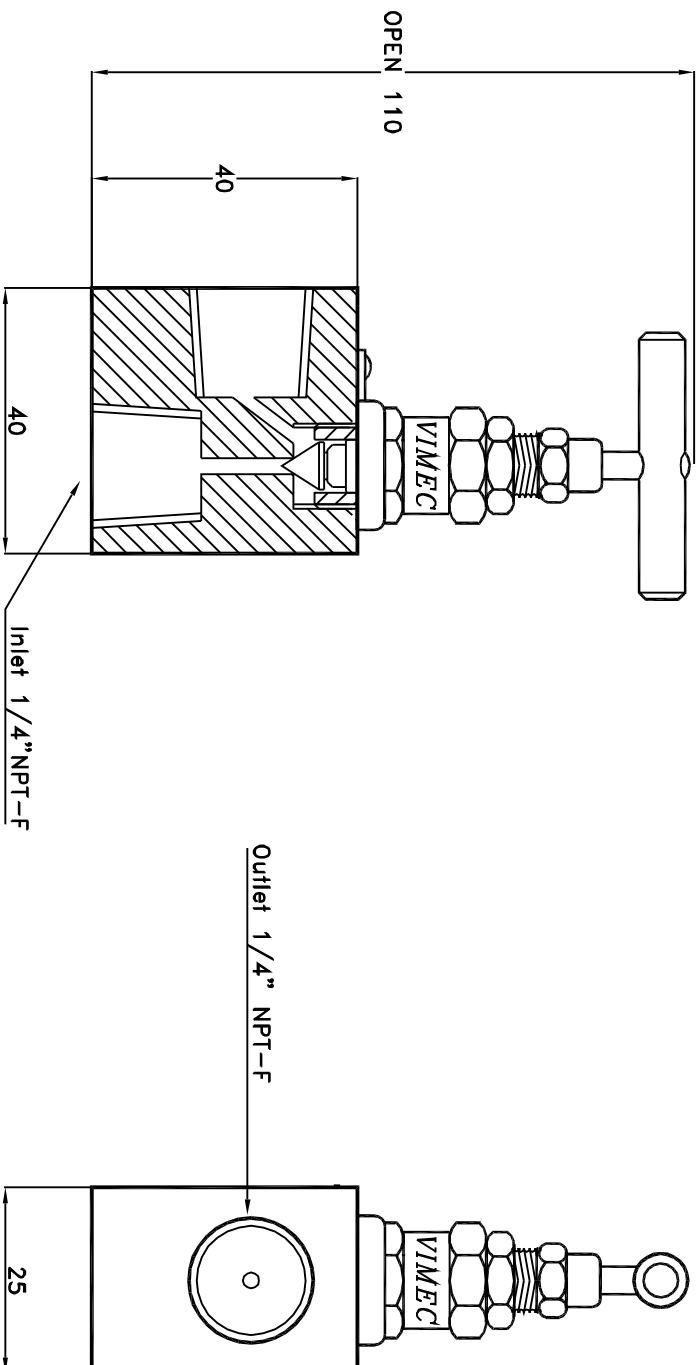


NEEDLE VALVE TYPE VMC-029



1	BODY	AISI 316
2	BONNET	AISI 316
3	PACKING	TEFLON
4	STEM	AISI 316
5	NEEDLE	AISI 316

Working pressure: 420 Bar
Proof pressure: 630 Bar.

5		
4		
3		
2		
1	04/01/00	REVISION (EX VMC-104/C)
0	01/05/94	FIRST ISSUE

<p>VIMEC</p> <p>VALVES - INSTRUMENTS - MANIFOLDS - CONSTRUCTION</p> <p>VIMEC S.r.l. - 20090 OPERA (Milano) ITALY Via Lombro, 62 - Telefono ++39 2.57602287</p>	<p>Drawing Comr. Ernesto Pighelli General Tolernance ± 0,1 Measures in: Millimeters</p>	<p>Description NEEDLE VALVE. 1/4" NPT-F/F 90° RATING: 6000 Lb</p>	<p>Number VMC-029</p> <p>Date 01/05/94</p> <p>Scale 1 : 1 (A5)</p> <p>Page</p>
	<p>INTERNAL CODE: N° - 09.FN61.110</p>		