

Description

Type	Safety and Relief valve
Connections	Flanged EN 1092
Rating	PN-16 / 25 / 40 / 63 / 100
Material	Nodular Iron, Carbon steel
	Stainless steel
Temperature range	-28°C to +350°C

Requirements

Calculation	EN-4126-1 / 7
Design / Size	EN-12516-1, EN-4126-1 / 7
Materials	EN / ASTM
Inspection	EN-4126-1 / 7 API 527 MSS-SP-55
Tolerances	EN-4126-1 and ASME UG-126

Construction and materials

Item	Description	PN-16/25		PN-40		PN-63/100	PN-16/25/40		PN-63/100
		Carbon steel		Carbon steel		Carbon steel	Stainless steel		Stainless st.
		DN-15x25 to DN-40x65 PN-16/25	DN-50x80 to DN-200x300 PN-16/25	DN-15x25 to DN-50x80 PN-40	DN-65x100 to DN-200x300 PN-40	DN-15x25 to DN-65x100 PN-63/100	DN-15x25 to DN-50x80 PN-16/40	DN-65x100 to DN-200x300 PN-16/40	DN-15x25 to DN-65x100 PN-63/100
1	Nozzle	C.S. + 308 L SS	C.S. + 308 L SS	C.S. + 308 L SS	C.S. + 308 L SS	316L + Stellite	AISI 316L	AISI 316L	316L + Stellite
2	Body	A106 Gr.B	EN-JS1030	A106 Gr.B	C.S. 1.0619	A106 Gr.B	AISI 316L	AISI 316L	AISI 316L
3	Bonnet	A106 Gr.B	EN-JS1030	A106 Gr.B	C.S. 1.0619	A106 Gr.B	AISI 316L	AISI 316L	AISI 316L
4	Cap	A351 CF-8	A351 CF-8	A351 CF-8	A351 CF-8	A351 CF8	A351 CF-8	A351 CF-8	A351 CF-8
5	Disc	AISI 420	C.S. + 308 L SS	AISI 420	C.S. + 308 L SS	AISI 316L	AISI 316L	AISI 316L	AISI 316L
6	Guide	C. Steel zn.	C.S. + 304 SS	C. Steel zn.	C.S. + 304 SS	C. Steel zn.	AISI 316L	AISI 316L	AISI 316L
7	Push Road	AISI 420	AISI 420	AISI 420	AISI 420	AISI 420	AISI 316L	AISI 316L	AISI 316L
8	Spring Button	C. Steel zn.	C. Steel zn.	C. Steel zn.	C. Steel zn.	C. Steel zn.	AISI 303	AISI 303	AISI 303
9	Ajusting Screw	Brass	AISI-420	AISI 303	AISI-420	AISI303	AISI 303	AISI 303	AISI 303
10	Lock Nut	Brass	C. Steel zn.	AISI 303	C. Steel zn.	C. Steel zn.	AISI 303	AISI 303	AISI 303
11	Spring	Carbon steel	Carbon Steel	Carbon steel	Carbon Steel	Carbon steel	AISI 302	AISI 302	AISI 302
12	Lever	A 351 CF 8	A 351 CF 8	A 351 CF 8	A 351 CF 8	A 351 CF 8	A351 CF-8	A351 CF-8	A351 CF-8
17	Release nut	AISI 304	AISI 304	Carbon steel	AISI 304	Carbon steel	AISI 316L	AISI 316L	AISI 316L
18	Lever axis	AISI 303	AISI 303	AISI-303	AISI 303	AISI-303	AISI 303	AISI 303	AISI 303
19	Packing lever axis	AISI 303	AISI 303	AISI-303	AISI 303	AISI-303	AISI 303	AISI 303	AISI 303
20	Gasket cap	NBR+MF	NBR+MF	NBR+MF	NBR+MF	NBR+MF	PTFE	PTFE	PTFE
21	Gasket bonnet	NBR+MF	NBR+MF	NBR+MF	NBR+MF	NBR+MF	PTFE	PTFE	PTFE
22	Gasket pack. lever	Viton	Viton	Viton	Viton	Viton	Viton	Viton	Viton
27	Bellow	316 TI SS	316 TI SS	316 TI SS	316 TI SS	316 TI SS	AISI 316TI	AISI 316TI	AISI 316TI
28	Soft seat	Viton / PTFE	Viton / PTFE	Viton / PTFE	Viton / PTFE	Viton / PTFE	Viton / PTFE	Viton / PTFE	Viton / PTFE

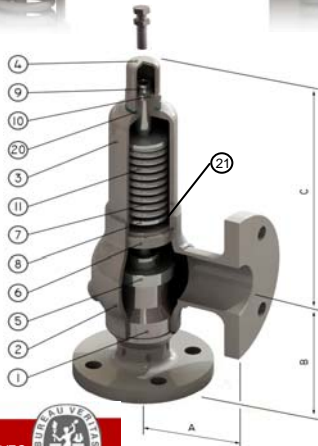
○ Recommended spare parts

Palanca manual
Lifting device



T. Prueba
Test gag

Palanca estanca
Sealed packing lever



Cpo. intermedio abierto
Open bonnet



Obturator o-ring
Disc soft seat





Technical information

Applications	Steam, gases, vapours and liquids
Min. Set pressure	0,2 barg
Seat	metal-metal, PTFE, Viton, Nozzle SS+Stellite
Overpressure	10% for steam, gas and vapour 20% for fire exposure 25% for liquid on thermal relief
Blowdown	7%
Tolerance Set pressure	± 3%
Discharge coefficients	k= 0,64 for gases k= 0,5 for liquids



Dimensions

Design	DN	TOSACA Model	Valve Size Inlet by Outlet	EN 1092 Flanges		Orif. (mm)	Area (mm ²)	Face Dimension (mm)			Weight (kg) W
				Inlet	Outlet			A	B	C	
	15	1400 PN 16	15 x 25	16	16	16	201	85	95	253	7
		1400 PN 25	15 x 25	25	16	16	201	85	95	253	7
		1400 PN 40	15 x 25	40	16	16	201	85	95	253	7
		1400 PN 63	15 x 25	63	16	13	133	85	95	253	7
		1400 PN100	15 x 25	100	16	13	133	85	95	253	7
	20	1400 PN 16	20 x 32	16	16	18	254	85	95	253	7,5
		1400 PN 25	20 x 32	25	16	18	254	85	95	253	7,5
		1400 PN 40	20 x 32	40	16	18	254	85	95	253	7,5
		1400 PN 63	20 x 32	63	16	13	133	100	105	253	7,5
		1400 PN100	20 x 32	100	16	13	133	100	105	253	7,5
	25	1400 PN 16	25 x 40	16	16	23,8	445	100	105	275	8
		1400 PN 25	25 x 40	25	16	23,8	445	100	105	275	8
		1400 PN 40	25 x 40	40	16	23,8	445	100	105	275	8
		1400 PN 63	25 x 50	63	16	20	314	110	100	275	8
		1400 PN100	25 x 50	100	16	16	201	110	100	275	8
	32	1400 PN 16	32 x 50	16	16	29,5	683	110	115	325	11,5
		1400 PN 25	32 x 50	25	16	29,5	683	110	115	325	11,5
		1400 PN 40	32 x 50	40	16	29,5	683	110	115	325	11,5
1400 PN 63		32 x 50	63	16	23,8	445	110	115	325	11,5	
1400 PN100		32 x 50	100	16	20	314	110	115	325	11,5	
40	1400 PN 16	40 x 65	16	16	36	1018	115	140	325	12,5	
	1400 PN 25	40 x 65	25	16	36	1018	115	140	325	12,5	
	1400 PN 40	40 x 65	40	16	36	1018	115	140	325	12,5	
	1400 PN 63	40 x 65	63	16	26	531	115	140	325	12,5	
	1400 PN100	40 x 65	100	16	23,8	445	115	140	325	12,5	
50	1400 PN 40	50 x 80	40	16	46	1662	120	150	400	14	
	1400 PN 63	50 x 80	63	16	32	804	120	150	400	14	
	1400 PN100	50 x 80	100	16	32	804	120	150	400	14	
	50	1400 PN 16	50 x 80	16	16	46	1662	120	150	400	14
		1400 PN 25	50 x 80	25	16	46	1662	120	150	400	14
	65	1400 PN 16	65 x100	16	16	59,5	2781	140	170	450	45
		1400 PN 25	65 x100	25	16	59,5	2781	140	170	450	45
		1400 PN 40	65 x100	40	16	59,5	2781	140	170	450	45
		1400 PN 63	65 x100	63	16	48	1810	140	170	450	50
		1400 PN100	65 x100	100	16	39	1195	140	170	450	51
	80	1400 PN 16	80 x 125	16	16	72	4072	160	195	625	58
		1400 PN 25	80 x 125	25	16	72	4072	160	195	625	58
		1400 PN 40	80 x 125	40	16	72	4072	160	195	625	58
	100	1400 PN 16	100 x 150	16	16	90	6362	180	220	663	84
		1400 PN 25	100 x 150	25	16	90	6362	180	220	663	84
		1400 PN 40	100 x 150	40	16	90	6362	180	220	663	84
	125	1400 PN 16	125 x 200	16	16	105	8659	200	250	760	140
		1400 PN 25	125 x 200	25	16	105	8659	200	250	760	140
		1400 PN 40	125 x 200	40	16	105	8659	200	250	760	140
	150	1400 PN 16	150 x 250	16	16	125	12272	242	240	760	150
		1400 PN 25	150 x 250	25	16	125	12272	242	240	760	150
1400 PN 40		150 x 200	40	16	125	12272	242	240	760	150	
200	1400 PN 16	200 x 300	16	16	153	18385	300	290	795	200	