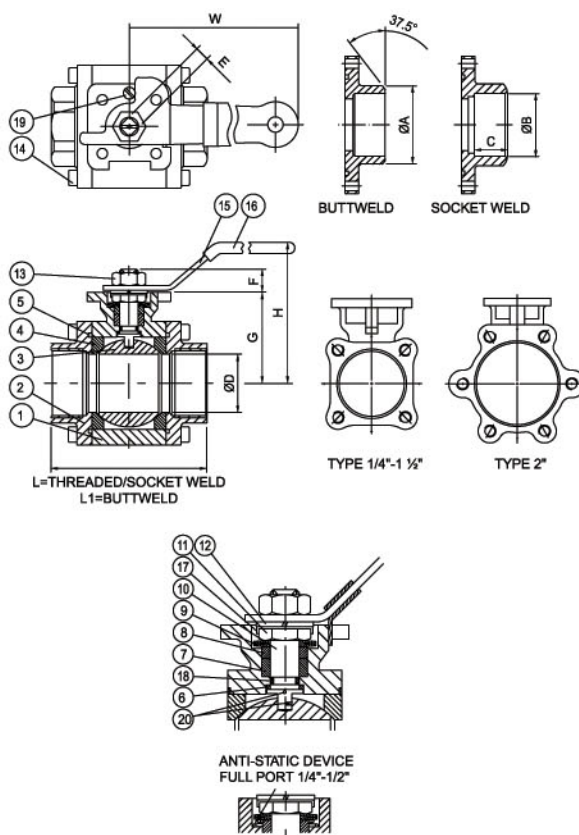


Fire Safe API607 Three Piece Full Port Ball Valve

- Size Range 1/4" - 2" (11 - 50mm)
- Pressure Grade 2000 PSIG
- Materials Stainless Steel, Carbon Steel
- End Connection Screwed, Buttweld,
Socket weld and others
- Service Application Water, Oil, Gas, Thermal Fluid,
Chemicals and others
- Certifications ISO 9001, PED 97/23/EC
- Operation Manual or Actuated



MATERIALS LIST:

ITEM	DESCRIPTION	STAINLESS STEEL	CARBON STEEL	Q'TY
1	BODY	ASTM A351 CF8M	ASTM A216 WCB	1
2	END CAP	ASTM A351 CF8M	ASTM A216 WCB	2
3	BALL	ASTM A351 CF8M/316	ASTM A351 CF8M/304/316	1
4	SEAT	PTFE	PTFE	2
5-1	GASKET	GRAPHITE	GRAPHITE	2
5-2	GASKET	PTFE	PTFE	2
6-1	THRUST WASHER	GRAPHITE	GRAPHITE	1
6-2	THRUST WASHER	PTFE	PTFE	1
7	STEM PACKING	GRAPHITE	GRAPHITE	1
8	GLAND	AISI 304	AISI 304	1
9	BELLEVILLE WASHER	AISI 301	AISI 301	2
10	STEM	ASTM A276 316	ASTM A276 304	1
11	PACKING NUT	AISI 304	AISI 304	1
12	SPRING WASHER	AISI 304	AISI 304	1
13	HANDLE NUT	AISI 304	AISI 304	1
14	BOLT	ASTM A193 B8	ASTM A193 B7	8-12
15	HANDLE	AISI 304	ZINC PLATED STEEL	1
16	HANDLE GRIP	VINIL PLASTISOL	VINIL PLASTISOL	1
17	LOCK SADDLE	AISI 304	AISI 304	1
18	O-RING	VITON	VITON	1
19	STOPPOER NUT	AISI 304	CARBON STEEL	1
20	ANTI-STATIC DEVICE	AISI 304	AISI 304	1-2

DIMENSIONS:

SIZE		ØD		L		L1		E		F		G		H		W		ØA		ØB		C		ISO 5211 (F)	Weights KG
IN	MM	IN	MM	IN	MM	IN	MM	IN	MM	IN	MM	IN	MM	IN	MM	IN	MM	IN	MM	IN	MM	IN	MM		
1/4"	8	0.43	11.0	2.55	65.0	2.75	70.0	0.35	9.0	0.31	8.0	1.47	37.5	2.75	70.0	5.51	140.0	0.54	13.8	0.56	14.2	0.39	10.0	F04	1.1
3/8"	10	0.43	11.0	2.55	65.0	2.75	70.0	0.35	9.0	0.31	8.0	1.47	37.5	2.75	70.0	5.51	140.0	0.68	17.3	0.69	17.6	0.39	10.0	F04	1.1
1/2"	15	0.55	14.0	2.95	75.0	2.95	75.0	0.35	9.0	0.31	8.0	1.47	37.5	2.75	70.0	5.51	140.0	0.85	21.7	0.86	21.8	0.51	13.0	F04	1.1
3/4"	20	0.80	20.5	3.14	80.0	3.54	90.0	0.43	11.0	0.43	11.0	1.96	52.0	3.54	90.0	7.08	180.0	1.07	27.2	1.07	27.2	0.59	15.0	F04-F05	1.6
1"	25	0.98	25.0	3.54	90.0	3.93	100.0	0.43	11.0	0.43	11.0	2.36	60.0	3.93	100.0	7.08	180.0	1.34	34.0	1.33	33.9	0.59	15.0	F04-F05	2.2
1 1/4"	32	1.24	31.5	4.33	110.0	4.33	110.0	0.55	14.0	0.67	17.0	2.83	72.0	4.40	112.0	8.46	215.0	1.68	42.7	1.68	42.7	0.59	15.0	F07	3.3
1 1/2"	40	1.45	37.0	4.72	120.0	4.92	125.0	0.55	14.0	0.67	17.0	2.99	76.0	4.52	115.0	8.46	215.0	1.91	48.6	1.92	48.8	0.63	16.0	F07	4.6
2"	50	1.96	50.0	5.51	140.0	5.90	150.0	0.55	14.0	0.67	17.0	3.66	93.0	5.23	133.0	8.46	215.0	2.38	60.5	2.41	61.2	0.67	17.0	F07	7.3

P-T RATINGS

