



CALEFFI

5335 Series

Pressure Reducing Valve

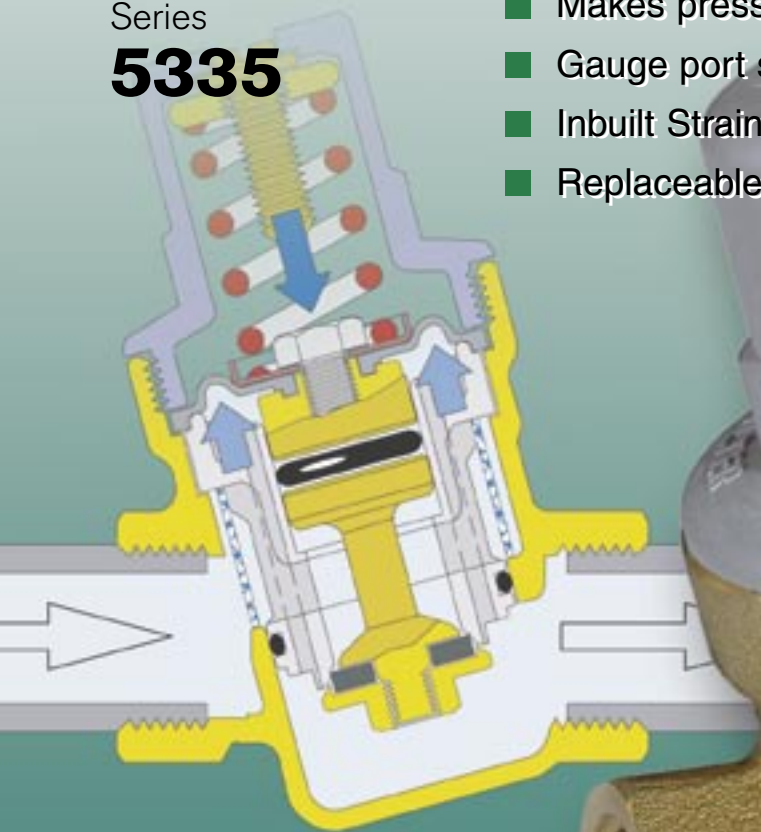
Safeguards Water Heaters and Domestic Systems

The Caleffi Bonus

- Compact design
- Easily adjustable 100 - 600kPa
- High flow rate
- Install in any position
- Factory set at 500kPa
- Makes pressure limiting valves redundant
- Gauge port standard
- Inbuilt Strainer
- Replaceable cartridge

Series

5335

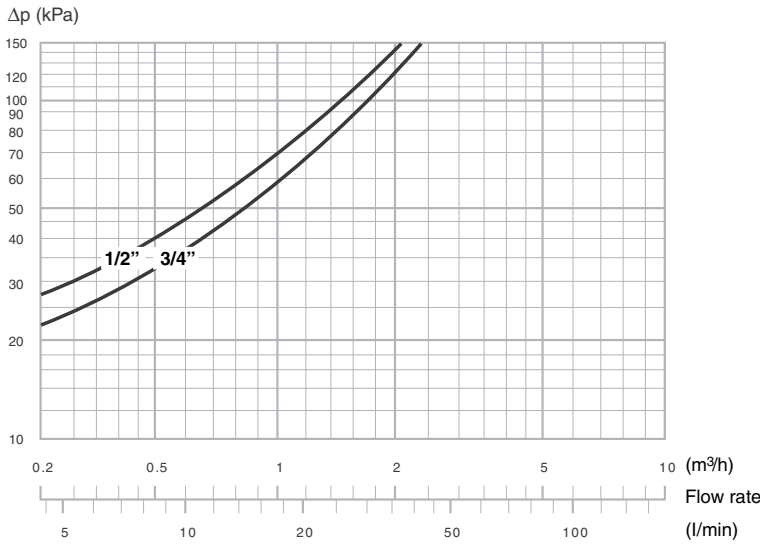


Australian
Standard

AS 1357.2 Lic 2467

Available with 15mm or 20mm female threaded ends

Pressure Loss Diagram



General

Pressure reducing valves are a valuable asset to any piping system. Many people are under the misapprehension that more pressure is better when, in fact, it is often the reverse. Too much pressure in a system puts unnecessary strain on water heaters, plumbing joints, taps, washers, etc, increasing the chance of leaks, burst hoses on washing machines and other appliances and adding greatly to water hammer problems.

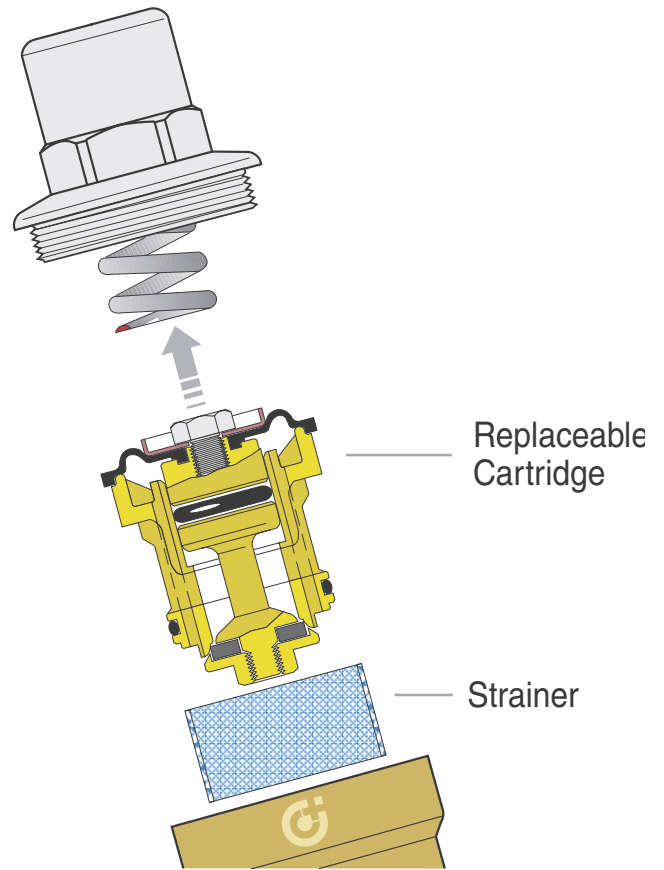
The Caleffi 5335 series pressure reducing valve is fully adjustable between 100 - 600kPa and allows for easy adjustment to an optimum pressure. A pressure gauge can be fitted into the gauge port for accurate setting.

The valve comes factory set at 500kPa, the most common pressure setting required for domestic systems. With all the advantages of the Caleffi 5335 series adjustable pressure reducing valves, using pressure limiting valves will soon become outdated.

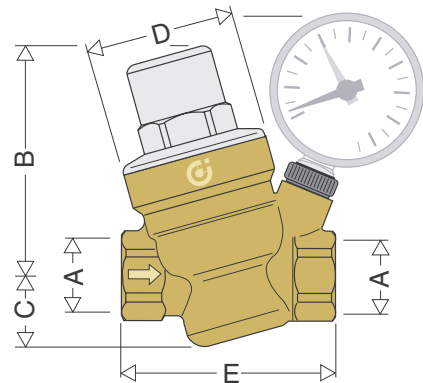
The Caleffi 5335 comes in both 15mm and 20mm sizes. Alternatively, the Caleffi 5335 series "dial-up pressure" reducers range from 15mm to 50mm.

Warning

If it is critical to maintain a precise pressure to protect equipment downstream of the Caleffi 5335 series pressure reducing valve, we recommend the installation of a pressure relief valve.



Code	533545	533555
A	15mm	20mm
B	72.5	72.5
C	22.5	22.5
D	Ø 46	Ø 46
E	79	84.5
Weight(kg)	0.51	0.52



Technical Specifications

Pressure range	100 - 600kPa
Factory set	500kPa
Maximum inlet pressure	1600kPa
Maximum temperature	60°C
Media	Water / Air
Optional pressure gauge - range	0 - 1000kPa
Gauge port size	8mm



All Valve Industries Pty Ltd

30/205 Port Hacking Road Miranda NSW 2228
www.allvalve.com.au

DISTRIBUTED BY



Australian Standard