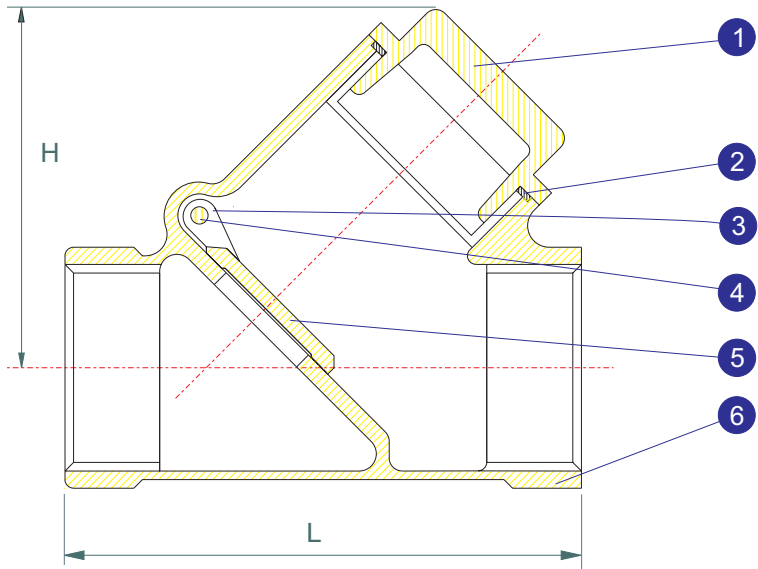




# Ver. H, Model C-T3

*Y-Swing Check Valve*  
*Threaded End, Full Port*  
 200 PSI  
 ½" (DN15) to 2" (DN50)



## MATERIAL LIST

NO.	PART NAME	MATERIAL	Q'TY
1	Cover	ASTM A351 Gr. CF8M	1
2	Gasket	PTFE	1
3	Hinge	SUS316	1
4	Plug	SUS316	1
5	Disc	ASTM A351 Gr. CF8M	1
6	Body	ASTM A351 Gr. CF8M	1

## DIMENSIONS (mm)

SIZE	DN	L	H
½"	15	68.5	40
¾"	20	84.5	51
1"	25	97.5	54
1¼"	32	114.5	66
1½"	40	129.5	76
2"	50	153.5	90