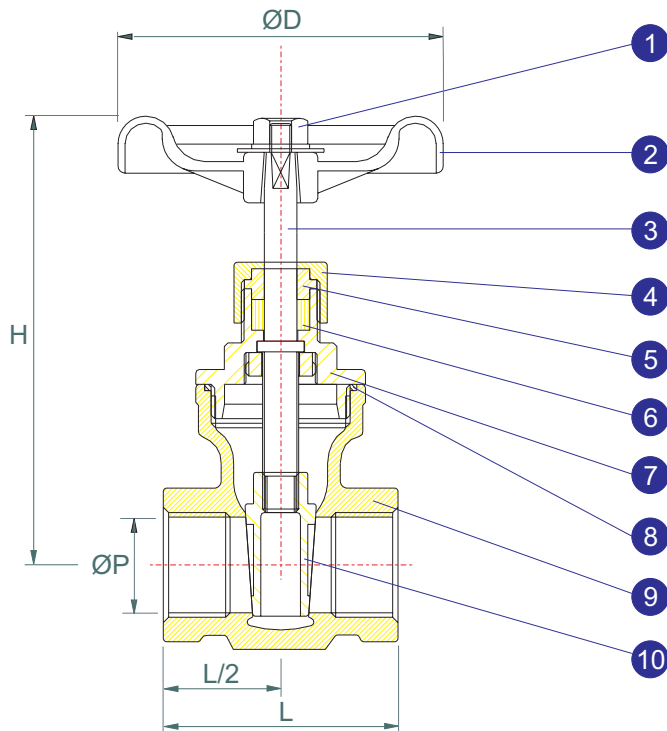




Ver. H, Model G-20

Gate Valve
 Threaded End
 (Non-Rising Hand Wheel)
 Rated 200 PSI
 ½" (DN15) to 2" (DN50)



MATERIAL LIST

NO.	PART NAME	MATERIAL	Q'TY
1	Nut	SUS 304	1
2	Hand Wheel	SUS 400*	1
3	Stem	SUS 316	1
4	Gland Nut	ASTM A351 Gr. CF8M	1
5	Gland	ASTM A351 Gr. CF8M	1
6	Stem Packing	PTFE	1
7	Bonnet	ASTM A351 Gr. CF8M	1
8	Gasket	PTFE	1
9	Body	ASTM A351 Gr. CF8M	1
10	Disc	ASTM A351 Gr. CF8M	1

* 2 1/2" and 3" uses cast iron hand wheel

DIMENSIONS

SIZE	DN	ØP	L	H	ØD
½"	15	16	55	98	70
¾"	20	20	60	110	70
1"	25	26	66	121	77
1¼"	32	32	76	130	77
1½"	40	40	87	165	104
2"	50	50	98	207	121
2½"	65	62	116	260	121
3"	80	76	131	295	121