

CRANE SERIES	SCALE NTS	ACAD 2002	DRG NO	G15SMF	A4
03	CRANE		CRANE AUSTRALIA. PTY. LTD. ST.MARYS . N.S.W.		

GENERAL ASSEMBLY  
50mm - 600mm N.B. CLASS 150 CAST STEEL  
MISSION DUO-CHECK II , CHECK VALVE  
CAT NO : G15-SMF

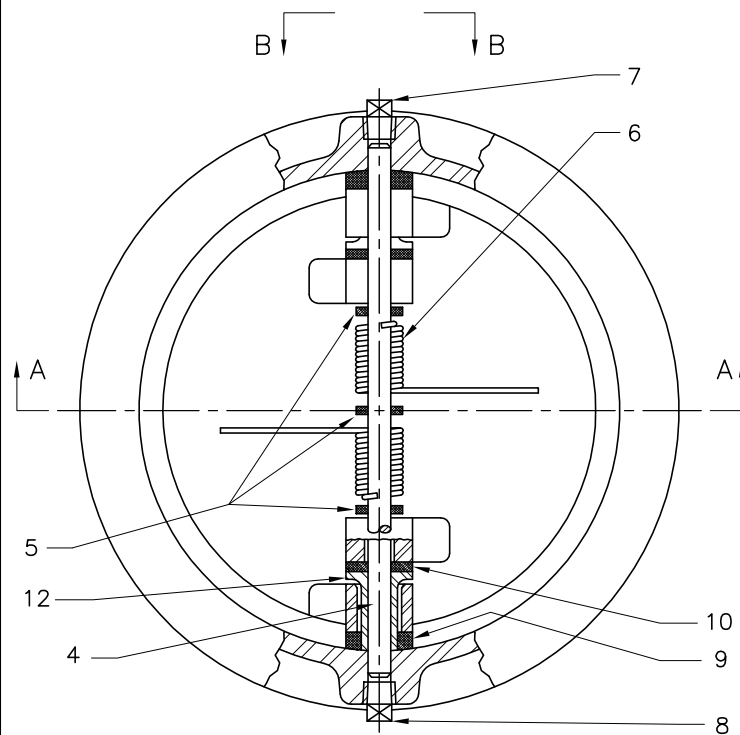
PARTS & MATERIAL LIST

ITEM	PART NAME	MATERIAL
1	BODY	ASTM A216 GR. WCB
2	PLATES	ASTM A216 GR. WCB
3	STOP PIN	ASTM A276 Type 316
4	HINGE PIN	ASTM A276 Type 316
5	SPRING BEARING	NOT REQUIRED
6	SPRING	INCONEL
7	STOP PIN RETAINER	AISI 1018 STEEL
8	HINGE PIN RETAINER	AISI 1018 STEEL
9	BODY BEARING	ASTM A276 Type 316
10	PLATE BEARING	ASTM A276 Type 316
11	SEAL	BUNA-N
12	SUPPORT SLEEVE	NOT REQUIRED

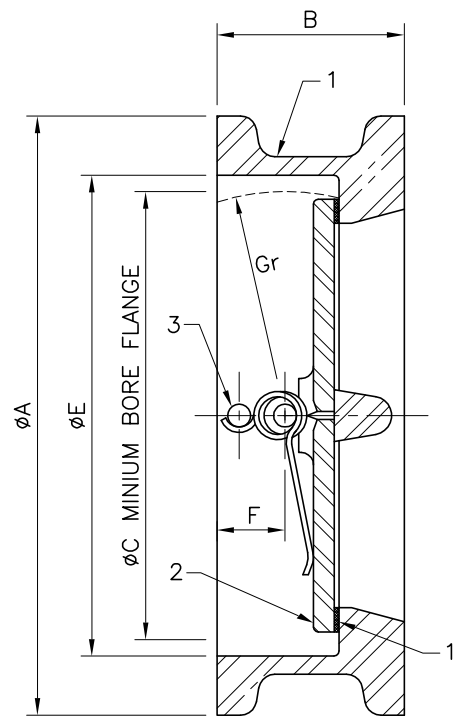
NOTES :

1. BASIC DESIGN IN ACCORDANCE WITH APPLICABLE REQUIREMENTS OF API 594 SPECIFICATION.
2. WALL THICKNESS IN ACCORDANCE WITH API 594.
3. ENDS FLANGED ANSI 150 RAISED FACE.
4. FACE TO FACE DIMENSIONS PER API 594.
5. PRESSURE/TEMPERATURE RATING IN ACCORDANCE WITH ASME/ANSI B16.34, WITH MAXIMUM OPERATING TEMP. -70°F to +250°F.
6. PRESSURE TESTS IN ACCORDANCE WITH API 598.
7. DO NOT SCALE.

TYPICAL  
ONLY

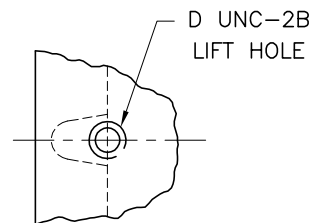


THIS VIEW IS ROTATED 90° TO SHOW THE ACTUAL OPERATING POSITION OF THE VALVE. THE PIN MUST BE VERTICAL FOR HORIZONTAL FLOW.



SECTION A : A.

DIRECTION OF FLOW



VIEW B : B.

VALVE N.B. SIZE	DIMENSIONS IN mm & INCHES.							WT kg's
	A	B	øC	øD	øE	F	Gr	
50	105	60	49	NONE	60	33	28	2.7
65	124	67	60	NONE	73	32	35	4.5
80	137	73	74	NONE	89	36	41	5.9
100	175	73	97	NONE	114	38	53	7.7
150	222	98	146	1/2-13	168	44	79	16
200	279	127	194	1/2-13	219	48	102	32
250	340	146	243	5/8-11	273	56	126	48
300	410	181	289	3/4-10	324	70	152	78
350	451	184	318	3/4-10	356	90	173	91
400	514	191	381	1-8	406	86	198	125
450	549	203	429	1-8	457	86	222	143
500	606	219	478	1-8	508	89	249	197
600	718	222	575	1-8	610	86	295	281