



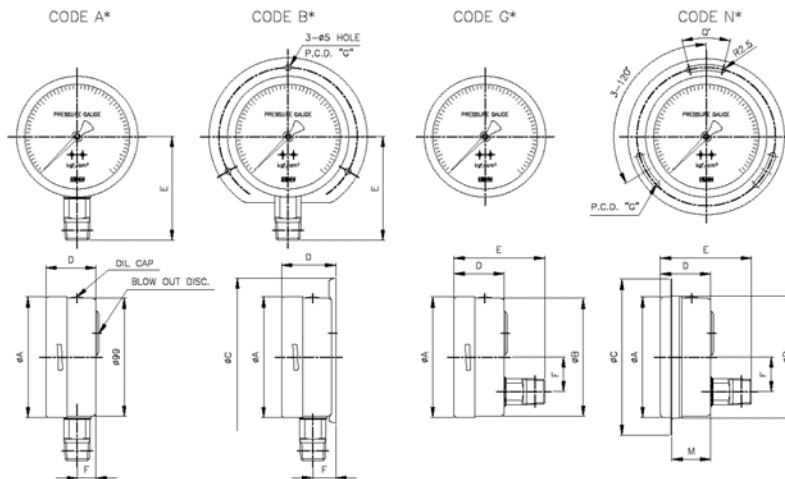
Ross Brown Sales Pty. Ltd.

ABN 28 000 690 362
 21 Brookhollow Ave, Baulkham Hills NSW 2153
 PO Box 6345 BHBC NSW 2153 Australia
 Phone: (02) 9899 2744 Fax: (02) 9899 4233
 Email: sales@rossbrownsales.com.au
 Website: www.rossbrownsales.com.au

100mm Stainless Steel Pressure Gauge

Model: P252-4

Case and bezel material: 304 stainless steel liquid fillable
Connection: 316 Stainless steel
Bourdon tube material: 316 Stainless steel
Blowout protection: rubber disc on the back
Over Range Protection: 130% of full scale
Working temperature: Ambient = -40~60° C, Process = +200° C
Dial: Aluminium, black print on white background
Ranges: -100~0 kPa to 0~160000 kPa
Connection: ½" NPT lower mount, ¼" NPT lower back mount
Window: Laminated safety glass
Surge protection: internal restrictor
Movement: 304 Stainless steel
Pointer: micro-adjustable
Accuracy: 1.0% of full scale
Protection Rating: IP65



Dimensions in mm

Dial Size	Available Code	A	B	C	D	E	F	G	M	Q
100mm	A*	101.3			50	83	16			
	B*	101.3		132.5	54.4	83	19.4	116		
	G*	101.3	99		50	83	29			
	N*	101.3	103.1	131	50	83	29	116	45	28

Range (in kPa)	Lower Mount Code A*	Lower Back Mount Code G*	Range (in kPa)	Lower Mount Code A*	Lower Back Mount Code G*	Accessories	
-100-0	2700300	2701300	0-2500	2700324	2701324	Back Flange	
-100/+150	2700303	On request	0-4000	2700326	2701326	P/N: 2701997	
-100/+300	On request	On request	0-6000	2700328	2701328	Front Flange	
-100/+500	On request	On request	0-8000	2700330	2701330	P/N: 2701998	
-100/+900	On request	On request	0-10000	2700332	2701332	Glycerine Filling	
-100/+1500	On request	On request	0-16000	2700334	2701334	P/N: 2701999	
0-100	2700310	On request	0-25000	2700336	2701336	Rubber Boot	
0-160	On request	2701312	0-40000	2700340	2701340	P/N: 2701993	
0-250	2700314	2701314	0-60000	On request	On request	Polycarbonate Lens	
0-400	2700316	2701316	0-80000	On request	On request	P/N: 2701992	
0-600	2700317	2701317 **	0-100000	On request	On request		
0-800	2700318	2701318	0-160000	On request	On request		
0-1000	2700320	2701320					
0-1600	2700322		** = ½" BSPP				
Weight gms	600	560	Add 320 gms for glycerine filling				

Revision: 0707