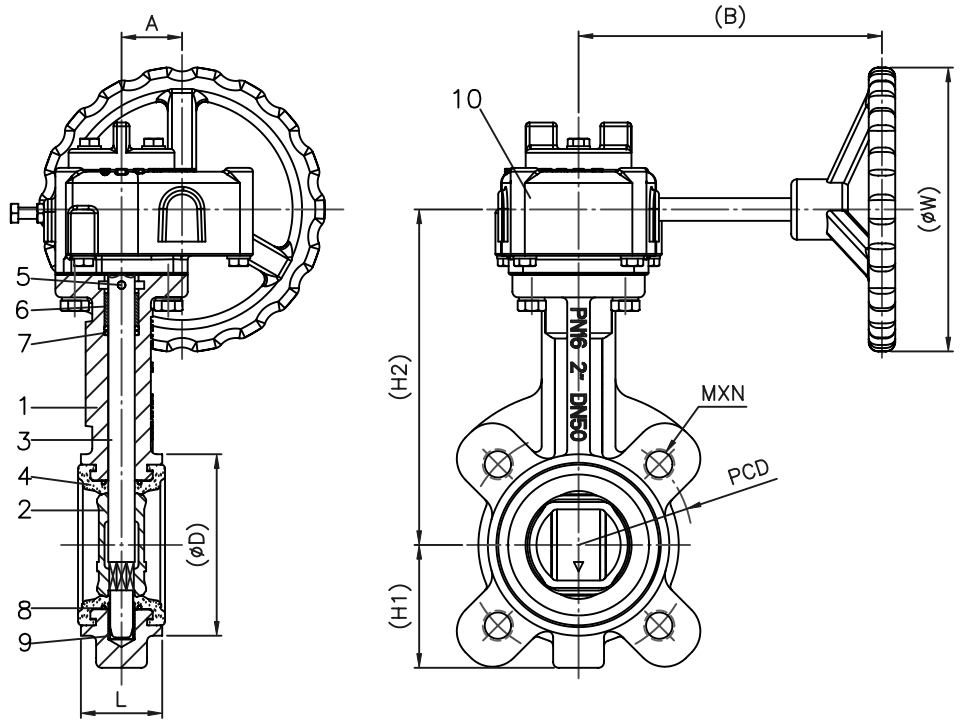


	VALVE SIZE		L	H1	H2	øD	ANSI B16.5 150LB		JIS 10K		PN 10		PN 16		BS 10 TABLE E		GEAR	A	B	øW
	in	mm					PCD	MXN	PCD	MXN	PCD	MXN	PCD	MXN	PCD	MXN				
	1.5"	40 mm	33	60	157	81	98.6	1/2"-13UNCX4	105	M16X4	110	M16X4	110	M16X4	98	1/2"-13UNCX4	C07	41	155	150
	2"	50 mm	43	65	180	96	120.7	5/8"-11UNCX4	120	M16X4	125	M16X4	125	M16X4	114.3	5/8"-11UNCX4				
	2.5"	65 mm	46	71	192	110	139.7	5/8"-11UNCX4	140	M16X4	145	M16X4	145	M16X4	127	5/8"-11UNCX4				
	3"	80 mm	46	77	199	124	152.4	5/8"-11UNCX4	150	M16X8	160	M16X8	160	M16X8	146.1	5/8"-11UNCX4				
	4"	100 mm	52	89	218	148	190.5	5/8"-11UNCX8	175	M16X8	180	M16X8	180	M16X8	177.8	5/8"-11UNCX8				
	5"	125 mm	56	112	234	180	215.9	3/4"-10UNCX8	210	M20X8	210	M16X8	210	M16X8	209.6	5/8"-11UNCX8				
	6"	150 mm	56	123	247	206	241.3	3/4"-10UNCX8	240	M20X8	240	M20X8	240	M20X8	235	3/4"-10UNCX8	C10	63	195	200
	8"	200 mm	60	150	281.5	259	298.5	3/4"-10UNCX8	290	M20X12	295	M20X8	295	M20X12	292.1	3/4"-10UNCX8				
	10"	250 mm	68	179	327.5	320	361.9	7/8"-9UNCX12	355	M22X12	350	M20X12	355	M24X12	355.6	3/4"-10UNCX12				
	12"	300 mm	78	216	350.5	370	431.8	7/8"-9UNCX12	400	M22X16	400	M20X12	410	M24X12	406.4	7/8"-9UNCX12				



MATERIAL TABLE(ASTM)			
BODY	DISC	SEAT	STEM
A126-B	A536-65-45-12	NBR	A182-F6A
A536-65-45-12	A351-CF8	EPDM	A182-F304
	A351-CF8M	CR	A182-F316
	B148-954		

FLANGE DIMENSION ACCORDING TO	
PN 16	ANSI B16.5 150LB
PN 10	BS 10 Table E
JIS B 2213 10K	

MAX WORKING PRESS	bar
SHELL TEST	bar
SEAT TEST	bar
TEST FLUID	Water

10	GEAR BOX	1	ASTM A126-B
9	BOTTOM BUSHING	1	ASTM B62
8	BACK-UP RING	2	PLASTIC
7	O-RING	2	NBR
6	UPPER BUSHING	1	DELTRIN
5	STOP PIN	1	ASTM A182 F316
4	SEAT	1	SEE MATERIAL TABLE
3	STEM	1	
2	DISC	1	
1	BODY	1	
ITEM NO.	PART NAME	Q'TY	MATERIAL



捷流閥業股份有限公司  
 VALUE VALVE CO.,LTD.  
 台北縣土城工業區中山路9號  
 TEL:(02)22685881  
 FAX:(02)22681434

DESN BY	CHK BY	AUTH BY	ISSUE DATE
			92/4/22
			MATERIAL
			SCALE
			UNIT mm

VF-733 BUTTERFLY VALVE			
ø40mm~ø300mm GEAR OPERATED			
SIZE A4	DRAWING NO	T733000G02	REV 1