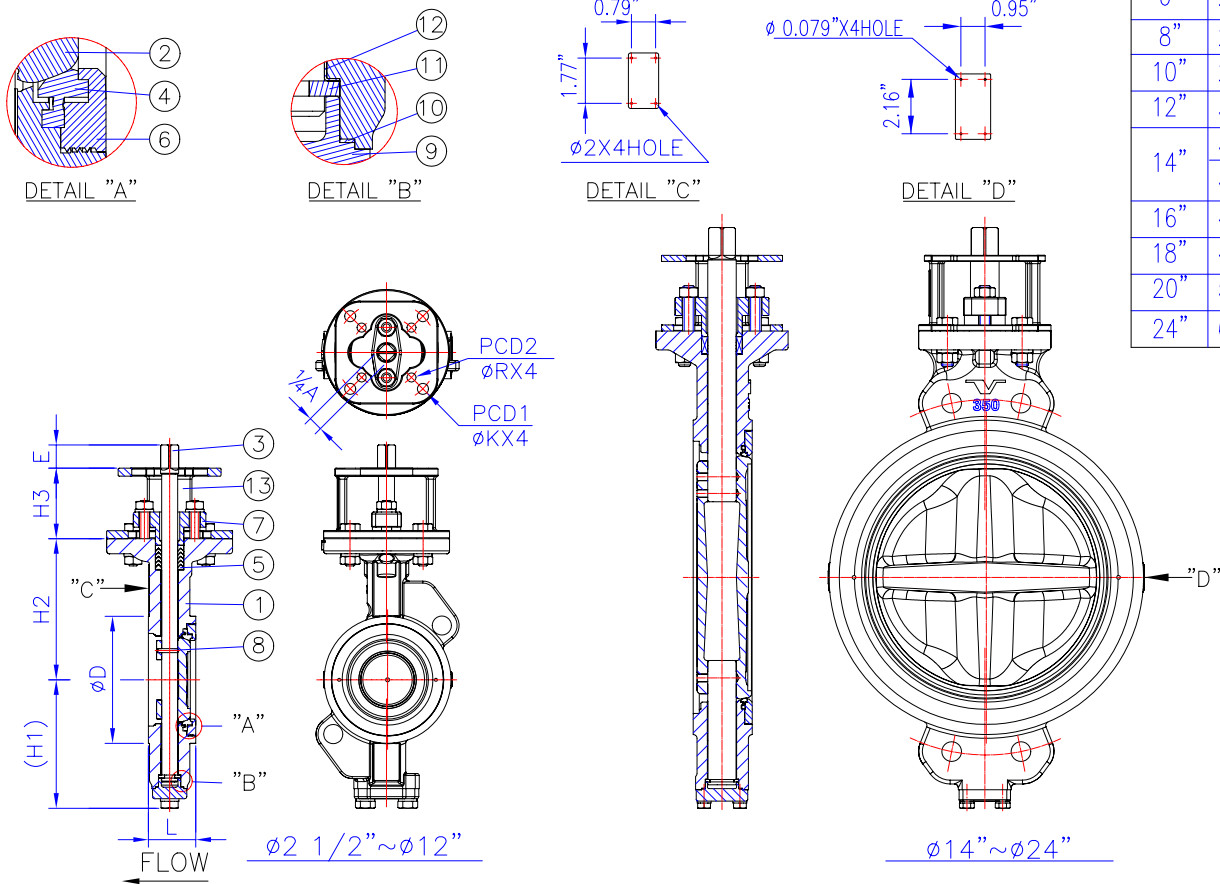


MATERIAL TABLE (ASTM)

DIMENSION TABLE

BODY	DISC	SEAT	STEM	SET RING	GLAND PACKING
A351 CF8	A351 CF8	PTFE	A564 630	A351 CF8	PTFE
A351 CF8M	A351 CF8M	RPTFE	A182 F304	A351 CF8M	RPTFE
A216 WCB			A182 F316		

SIZE	L	øD	H1	H2	H3	fA	PCD1	øK	PCD2	øR	E
2 1/2"	1.81"	4.25"	4.33"	4.92"	2.36"	0.43"	2.76"	0.35"	1.97"	0.28"	0.71"
3"	1.85"	4.96"	5.04"	5.51"	2.76"	0.55"	4.02"	0.43"	2.76"	0.35"	0.91"
4"	2.09"	6.02"	5.91"	6.18"	2.76"	0.55"	4.02"	0.43"	2.76"	0.35"	0.91"
5"	2.24"	7.24"	6.42"	6.69"	2.76"	0.67"	4.02"	0.43"	2.76"	0.35"	0.91"
6"	2.20"	8.35"	6.93"	7.28"	2.76"	0.67"	4.02"	0.43"	2.76"	0.35"	0.91"
8"	2.44"	10.55"	8.11"	8.66"	3.15"	0.75"	4.92"	0.55"	4.02"	0.43"	1.10"
10"	2.68"	12.83"	9.37"	10.24"	3.15"	0.87"	4.92"	0.55"	4.02"	0.43"	1.10"
12"	3.07"	14.76"	10.59"	11.42"	3.94"	1.06"	5.51"	0.71"	4.92"	0.55"	1.10"
14"	3.07" 3.62"	16.38"	12.05"	12.83"	3.94"	1.06"	5.51"	0.71"	4.92"	0.55"	1.46"
16"	4.02"	18.74"	13.46"	14.57"	4.72"	1.42"	6.50"	0.87"	5.51"	0.71"	1.85"
18"	4.49"	21.02"	14.57"	15.55"	4.72"	1.42"	6.50"	0.87"	5.51"	0.71"	1.85"
20"	5.00"	23.15"	15.71"	16.93"	4.72"	1.81"	6.50"	0.87"	5.51"	0.71"	2.20"
24"	6.06"	27.24"	17.91"	19.29"	5.91"	1.81"	10.00"	0.71"			2.20"



13	YOKE	6"~20" 24"	1	ASTM A351 CF8 ASTM A536-65-45-12
12	BERING		1	SUS 316 + RPTFE
11	THRUST RING		1	ASTM A240 316
10	SEAL		1	PTFE
9	BOTTOM COVER		1	ASTM A351 CF8M
8	PIN	14"~24"	3	ASTM A182 F316
		10",12"	2	
		2.5"~8"	1	
7	GLAND		1	ASTM A351 CF8M
6	SET RING		1	SEE MATERIAL TABLE
5	GLAND PACKING		1	
4	SEAT		1	
3	STEM	14"~24" 2.5"~12"	2 1	
2	DISC		1	
1	BODY		1	
ITEM NO.	PART NAME	Q'TY	MATERIAL	



VALUE VALVES USA

GRAPEVINE, TEXAS 76051

TEL:(817) 421-5343

FAX:(817) 416-6270

DESN BY: CHK BY: AUTH BY: ISSUE DATE: 93/2/26

MATERIAL:



SCALE: 1/8

UNIT: INCH

VF-910 BUTTERFLY VALVE
 2 1/2" thru 24" BARE SHAFT

SIZE A4 DRAWING NO T910000N01USA REV 1