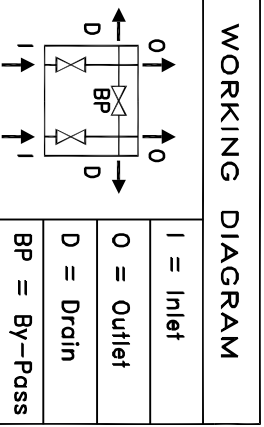
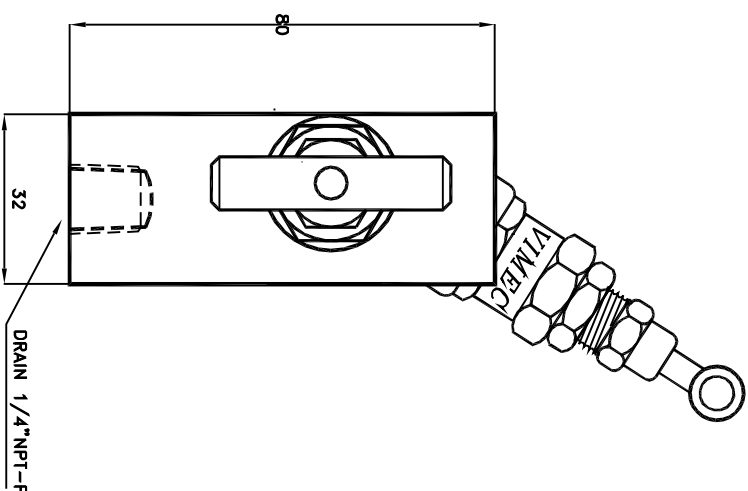
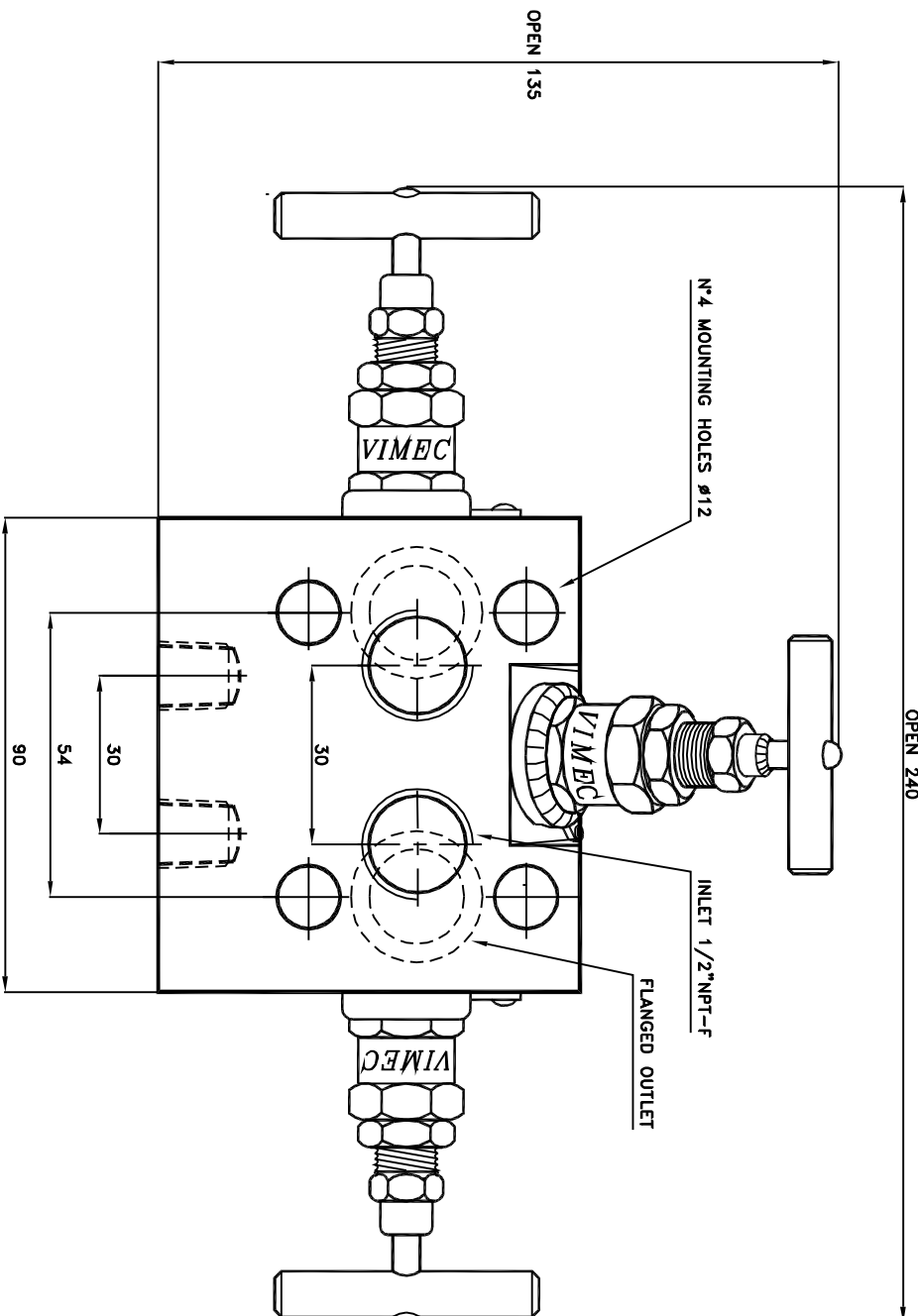


# TYPE: VMC-304



WORKING DIAGRAM		
1	BODY	AISI 316L
2	BONNET	AISI 316
3	PACKING	TEFLON
4	STEM	AISI 316
5	NEEDLE	AISI 316

Working pressure: 420 Bar  
Proof pressure: 630 Bar.  
Net weight: 1.9 Kg

Rev.	Date	Description
0	11/11/97	FIRST ISSUE
1		
2		
3		
4		
5		

**VIMEC** VALVES - INSTRUMENTS - MANIFOLDS - CONSTRUCTION  
 VIMEC Srl - 20090 OPERA (Milano) ITALY  
 Via Lambro, 62 - Telefono ++39 2.57602297

Drawing: A. Branzani  
 Contr.: Ernesto Pignelli  
 General Tolerance: ± 0,1  
 Measurements in: Millimeters

Description: THREE VALVES INSTRUMENT MANIFOLD.  
 1/2" NPT-F INLET X FLANGED OUTLET  
 RATING: 6000 Lb

Number: VMC-304  
 Date: 11/11/97  
 Scale: Not to scale  
 Page: 1

INTERNAL CODE: N° - 11.DN61.110