



Ver. Y, Model Y-F1/2

Flange Y-Strainer

Model Y-F1: ANSI Class 150

Model Y-F2: ANSI Class 300

1" (DN25) to 12" (DN300)

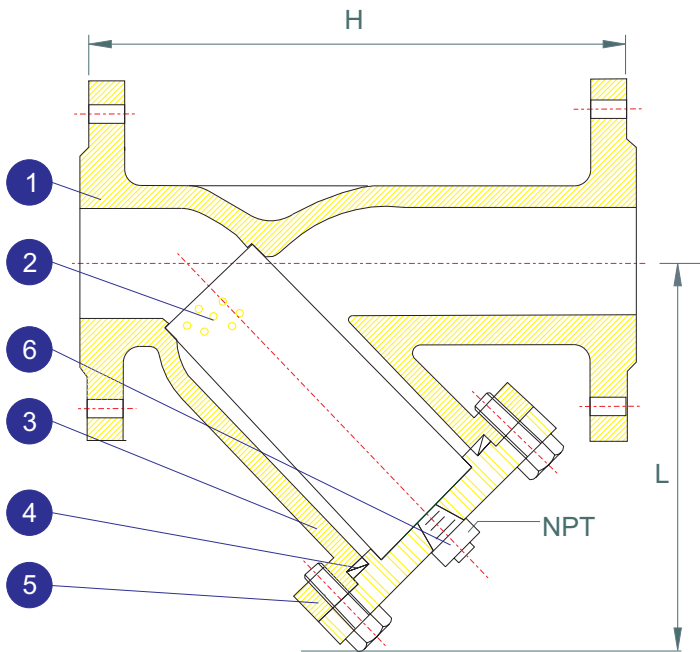
MATERIALS LIST

NO.	PART NAME	MATERIAL		Q'TY
		Stainless Steel	Carbon Steel	
1	Body	ASTM A351 Gr.CF8M	ASTM A216 Gr.WCB	1
2	Screen	SUS304	SUS304	1
3	Gasket	PTFE	PTFE	1
4	§Cap	ASTM A351 Gr.CF8M	ASTM A216 Gr.WCB	1
5	‡Bolt	ASTM A193 B7	ASTM A193 B8	#
6	‡Blow-Off Plug	ASTM A351 Gr.CF8	ASTM A216 Gr.WCB	1

§ For strainer size 1" ~ 1½" threaded cap is used
For strainer size 2" ~ 12" flange type cap is used

For Class 150: 2" ~ 3" 4pcs; 4" 6pcs; 5" ~ 8" 8pcs; 10" 10pcs; 12" 12pcs
For Class 300: 2" ~ 3" 6pcs; 4" ~ 6" 8pcs; 8" 10pcs; 10" ~ 12" 12pcs

‡ For standard items, 1" ~ 1½" do not include these parts



Note: As a standard 1" ~ 1½" strainers do not have a blow-off plug. It comes with a threaded cap and gasket. Blow-off plug available as an option.

DIMENSIONS (mm)

SIZE	DN	†H	*H	†L	*L	†NPT	*NPT
1"	25	100	80	188	195	Opt.	Opt.
1½"	40	100	105	180	190	Opt.	Opt.
2"	50	138	150	216	231	½"	½"
2½"	65	185	180	260	275	¾"	1"
3"	80	203	217	295	327	1"	1¼"
4"	100	240	345	361	375	1½"	1½"
5"	125	300	350	470	473	2"	2"
6"	150	340	385	470	504	2"	2"
8"	200	420	430	634	639	2"	2"
10"	250	490	496	663	701	2"	2"
12"	300	605	N/A	767	N/A	2"	2"

† Dimensions for ANSI 150LB * Dimensions for ANSI 300LB

‡ Contact factory for more information

Note: Dimension ±1.5mm



Ver. Y, Model Y-F1/2

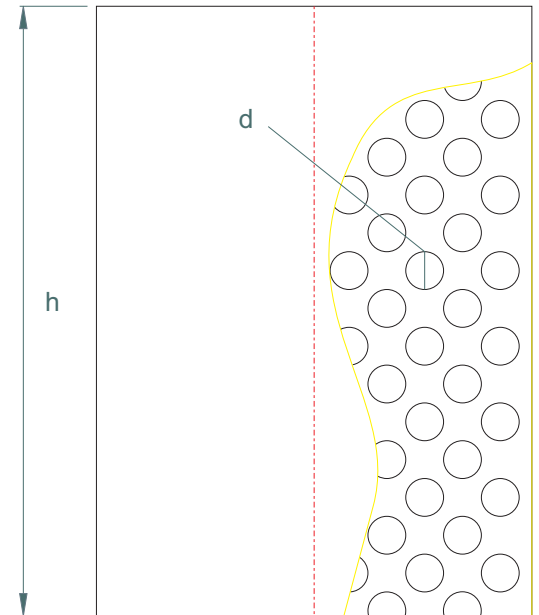
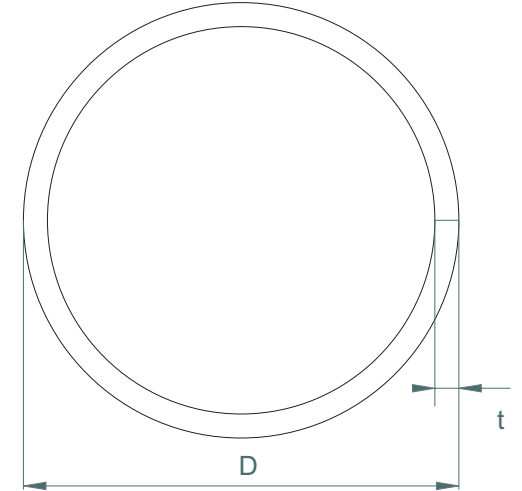
Flange Y-Strainer

Model Y-F1: ANSI Class 150

Model Y-F2: ANSI Class 300

1" (DN25) to 12" (DN300)

STANDARD SCREEN SPECIFICATION



DIMENSIONS (mm)

SIZE	DN	d	D	h	t
1"	25	1	27	35	0.5
1½"	40	1	42	80	0.5
2"	50	1	48	112	0.5
2½"	65	1	63	150	0.5
3"	80	1	81	164	0.5
4"	100	3	92	196	0.8
5"	125	3	130	241	1
6"	150	3	150	290	1
8"	200	3	204	325	1
10"	250	3	254	380	1
12"	300	3	300	455	1