



# Ver. J, Model Y-T8

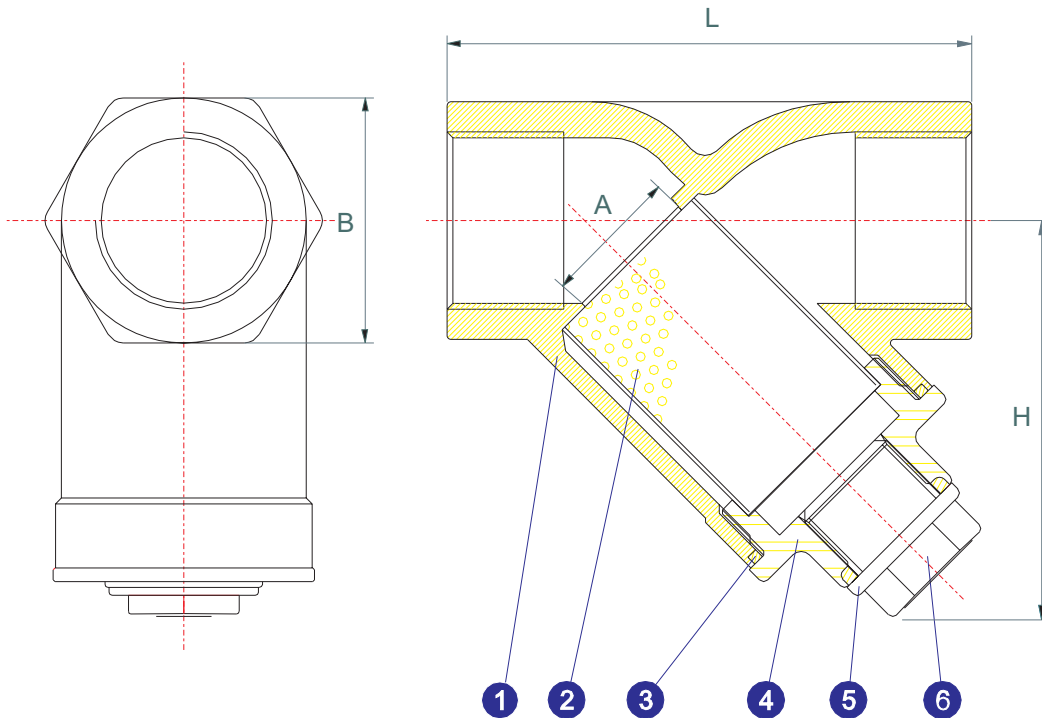
*Y-Strainer*

*Threaded End*

*800 PSI*

*Full Port*

*1/4" (DN8) to 3" (DN80)*



## MATERIALS LIST

NO.	PART NAME	MATERIAL	Q'TY
1	Body	ASTM A351 Gr.CF8M	1
2	Screen	SUS316 12 MESH	1
3	Gasket Packing	PTFE	1
4	Bonnet	ASTM A351 Gr.CF8M	1
5	Plug Gasket	PTFE	1
6	Plug	ASTM A351 Gr.CF8M	1

## DIMENSIONS (mm)

SIZE	DN	A	B	H	L
1/4"	8	11	23	46	65
3/8"	10	13	23	46	65
1/2"	15	15	26	46	65
3/4"	20	20	32	55	80
1"	25	25	41	70	90
1 1/4"	32	32	49	73	105
1 1/2"	40	38	56	81	120
2"	50	50	69	94	140
2 1/2"	65	65	87	120	170
3"	80	80	102	140	200