



2/2 or 3/2-way Solenoid Valve for aggressive media, G 1/4

- Pivoted armature valve with manual override
- Direct-acting with separating diaphragm
- Different circuit function available
- Suitable for aggressive media
- Plastic body in PP or PVDF

Type 0124 can be combined with...



Type 2508

Cable plug

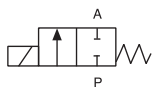


Type 1078

Timer unit

The Type 0124 is a direct-acting 2/2 or 3/2-way pivoted armature solenoid valve. Deliverable in many circuit functions for opening, closing, dosing, mixing and distribution. The magnetic system and the media chamber are separated from one another by a separating diaphragm system.

Circuit function A



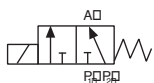
2/2-way valve NC

Circuit function C



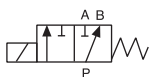
3/2-way valve NC

Circuit function E



3/2-way mixer valve

Circuit function F



3/2-way distribution valve

Technical data

Orifice	DN 3.0 - 5.0 mm
Body and seat material	PP, PVDF
Coil material	Epoxy
Coil insulation class	H
Seal material	EPDM, FKM NBR and FFKM on request
Media	EPDM FKM
	Alkalis, acids up to medium concentrations, alkaline washing and bleaching lyes, Oxidising acids and substances, oils, salt solutions, waste gases
Media temperature	EPDM FKM
	- 30 to +80 °C 0 to +80 °C
Ambient temperature	Max. +55 °C
Voltage tolerance	±10%
Duty cycle	Intermittent operation 40% (30 min) with 8 W version or 100% continuous rating with 5 W version (on request)
Electrical connection	Tag connector acc. to DIN EN 175301-803 Form A (previously DIN 43650) for cable plug Type 2508 (supplied as standard)
Protection class	IP 65 with cable plug
Installation	As required, preferably with actuator upright

Technical data

Inrush	Hold	warm/cold	Weight
AC [VA]	AC [VA/W]	DC [W]	kg
30	15/8	8/11	0.4

Orifice [mm]	Response times			
	AC		DC	
	Opening [ms]	Closing [ms]	Opening [ms]	Closing [ms]
2-4	8-15	8-15	10-20	10-20

The springs of each valve are set up for a specific circuit function.
When using them in other circuit functions, the permissible operating pressure changes according to the following table.

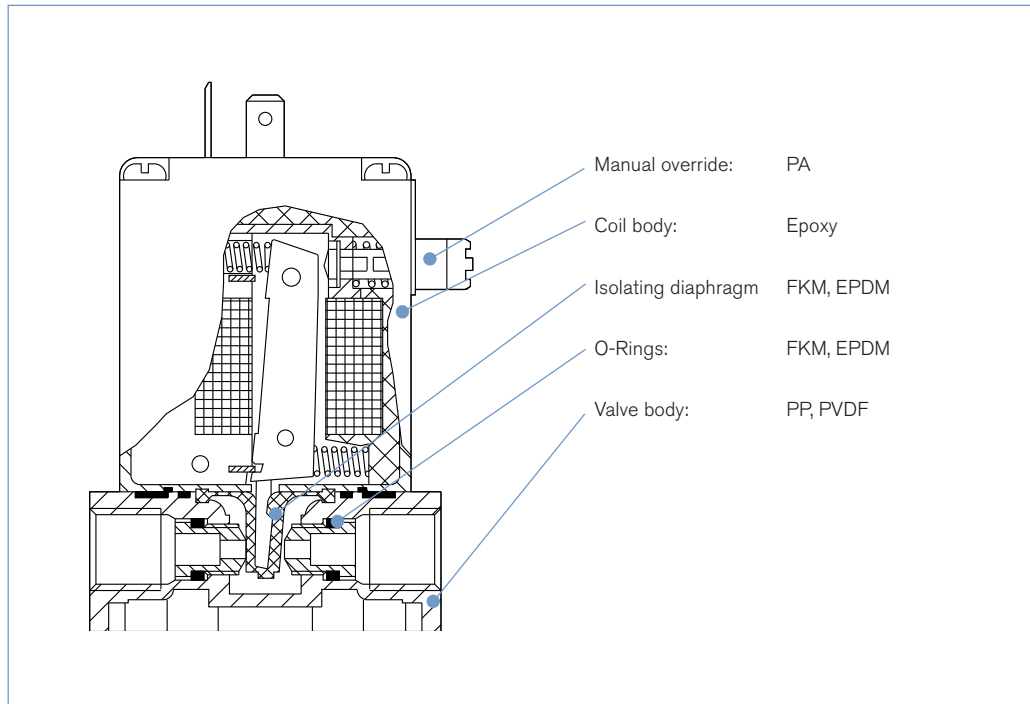
Response times [ms]:

Measured at valve outlet at 6 bar and +20 °C

Opening: pressure build-up 0 to 90%, **closing:** pressure relief 100 to 10%

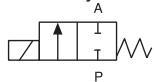
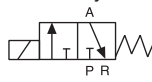
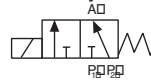
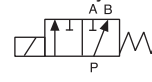
Circuit function	Max. operating pressure [bar] when using the valve in a new circuit function											
	Orifice 3.0						Orifice 4.0					
	A	B	C	D	E	F	A	B	C	D	E	F
C	10	1	10	1	1	10	5	0.8	5	0.8	0.8	5
D	6	6	6	6	6	3	3	3	3	3	3	3
F	5	1	6	1	1	10	4	1	4	1	1	4

Materials



Ordering chart for valves (other versions on request)

Circuit function	Port connection	Orifice [mm]	Kv value water [m ³ /h]	Pressure range [bar]	Voltage/frequency [V/Hz]	Item no. Seal material FKM	Item no. Seal material EPDM			
All valves body material PP, manual override and cable plug, different seal materials										
A	G 1/4	3.0	0.25	0 - 8	024/DC	018 410	067 214			
				0 - 10	24/50	088 496	022 105			
					230/50	045 653	062 398			
	G 1/4	4.0	0.30	0 - 4	024/DC	062 695	021 660			
				0 - 5	024/50	043 005	067 731			
					110/50	087 029	-			
	G 1/4	5.0	0.40	0 - 3	024/DC	062 624	061 321			
				0 - 4.5	024/50	067 007	054 261			
					110/50	-	088 468			
				230/50	022 619	049 969				
				G 1/4	4.0	0.30	0 - 5	024/50	088 420	-
							230/50	-	063 625	
E	G 1/4	3.0	0.25	0 - 4	024/DC	069 917	078 556			
				0 - 6	024/50	066 230	-			
					230/50	022 294	078 559			
	G 1/4	4.0	0.30	0 - 2	024/DC	061 077	067 160			
				0 - 3	024/50	086 921	044 693			
					230/50	053 406	066 033			
F	G 1/4	4.0	0.30	0 - 4	024/DC	020 528	-			
				0 - 5	230/50	-	066 032			
All valves with body material PVDF, manual override and cable plug, seal material FKM										
A	G 1/4	3.0	0.25	0 - 8	024/DC	018 188	-			
				0 - 10	024/50	020 286	-			
					110/50	078 784	-			
					230/50	069 006	-			
	G 1/4	4.0	0.30	0 - 4	024/DC	023 472	-			
				0 - 5	024/50	069 079	-			
					230/50	087 837	-			
	G 1/4	5.0	0.40	0 - 3	024/DC	064 512	-			
				0 - 4.5	230/50	063 786	-			
C	G 1/4	4.0	0.30	0 - 4	024/DC	055 788	-			
				0 - 5	230/50	019 078	-			
				E	G 1/4	4.0	0.30	0 - 2	024/DC	022 340
0 - 3	024/50	020 550	-							
					230/50	085 599	-			

A 2/2-way valve NC**C** 3/2-way valve NC**E** 3/2-way mixer valve**F** 3/2-way distribution valve**i** Further versions on request**Approvals**

UR, CSA, ATEX

**Voltage**

Non-standard voltages

**Pressure**

Vacuum version

**Port Connection**

NPT 1/4, sub-base

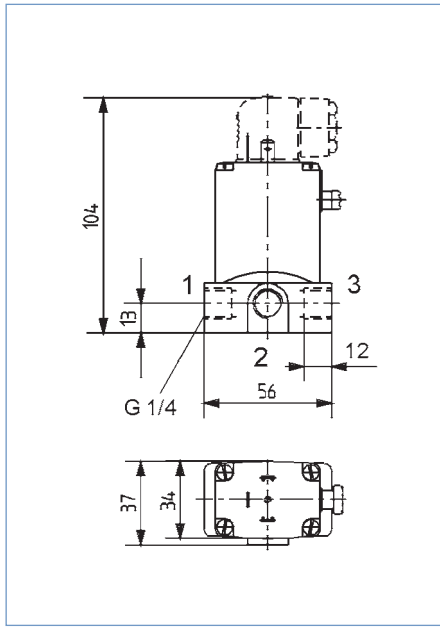
**Materials**

Seal material - FFKM

**Additional**

Optical or electrical feedback

Dimensions [mm]



The ports are marked with 1, 2 and 3 as indicated in the configuration table, depending on the circuit function.

Possible port configurations

Circuit function	1	2	3
A ¹⁾	A	-	P
C	P	A	R
E	P1	A	P2
F	A	P	B

¹⁾ Type 0124 has no middle connection in circuit function A.

To find your nearest Bürkert facility, click on the orange box →

www.burkert.com

In case of special application conditions,
please consult for advice.

Subject to alterations
© Christian Bürkert GmbH & Co. KG

0809/2_EU_en_00891602