

**Class 300 • Bolted Cap**

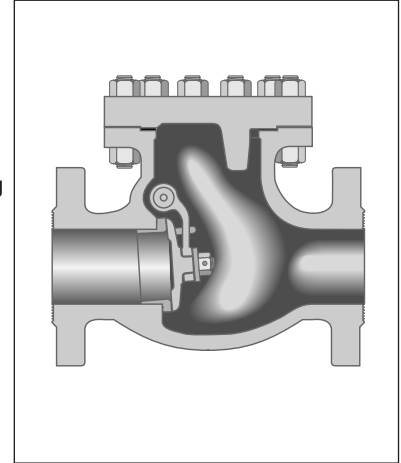
**Materials of Construction**

Description	Material
Body	A216 WCB
Bonnet	A216 WCB
Seat Ring	Hardfaced
Disc	13% CR Overlay
Hinge	WCB
Pins, Hinge	410 SS
Cap Screw	A307 Gr. B
Cap Gasket	Spiral Wound
Cap Studs	A193 Gr. B7
Cap Nuts	A194 Gr. 2H
I.D. Tags	SS
I.D. Pins	Steel

**Figure 159XU**  
Flanged

**Size Range:**  
2 - 24 inches

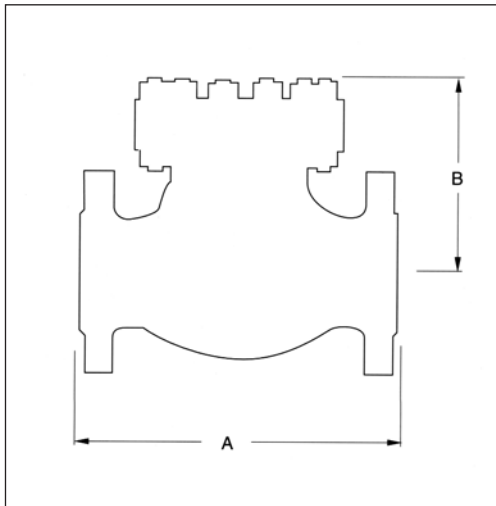
**Pressure Temperature Rating**  
Carbon Steel  
ASTM A216 Grade WCB  
740 psi @ -20°F to 100°F



**Industry Standards**

Steel Valves	ANSI B16.34
Face-to-Face/End-to-End	ANSI B16.10
Flange Dimensions	ANSI B16.5
Testing	API 598
Acceptance	API RP591

**Dimensions and Weights**



Valve Size	Weight (pounds)	Dimensions (inches)	
		A	B Valve Open
2	46	10.50	6.75
2½	66	11.50	7.38
3	86	12.50	8.50
4	154	14.00	9.25
6	276	17.50	11.88
8	420	21.00	13.38
10	640	24.50	13.88
12	1000	28.00	16.62
14	1550	33.00	18.88
16	1700	34.00	20.50
18	2200	38.50	23.62
20	2800	44.00	26.38
24	3650	53.00	29.62