

Face to face dimension to AS 2638.2
Flange drilling to AS 2129 Table E

Use:

For water, sewage and neutral liquid applications

Valve designed for use up to 70°C

Where applicable; for AS 4020 compliance, max temp = 40°C

Note: Always observe pipe material recommended operating temperatures

Tests:

Hydraulic test to AS 2638.2:

Seat: 0.5 bar
16 bar

Body: 24 bar

Operating torque test

Optional extras:

User specified flange drilling
PN25 version (57/86)

Materials:

Gland flange, body and bonnet	Ductile iron, 500-7, to AS 1831
Yoke and gland follower	Ductile iron, 500-7, to AS 1831
Handwheel	Grey cast iron, GG-25, to AS 1830
Coating	Fusion bonded epoxy resin - internally and externally to AS 4158
Stem	Stainless steel 316
Stem sealing	SBR and NBR O-rings
Nut, wedge nut, stem nut, washer	Dezincification resistant brass, CZ 132 to AS 2345
Gland bushing, gland	Akulon polyamide 6.6
Wedge	Ductile iron, Grade 500-7, core fully encapsulated with EPDM rubber with integral wedge nut of dezincification resistant brass, CZ 132 to AS 2345
Pin	Stainless steel 304
Gland bolts	Stainless steel 316
Bonnet bolts	Stainless steel 304, sealed with hot melt
Bonnet gasket	EPDM rubber



AVK Australia's website contains the latest product information and data sheets.

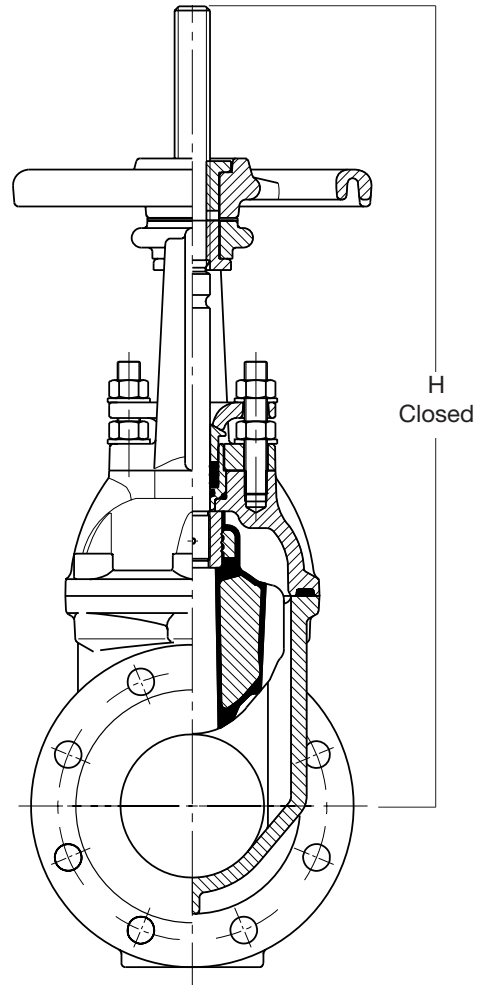
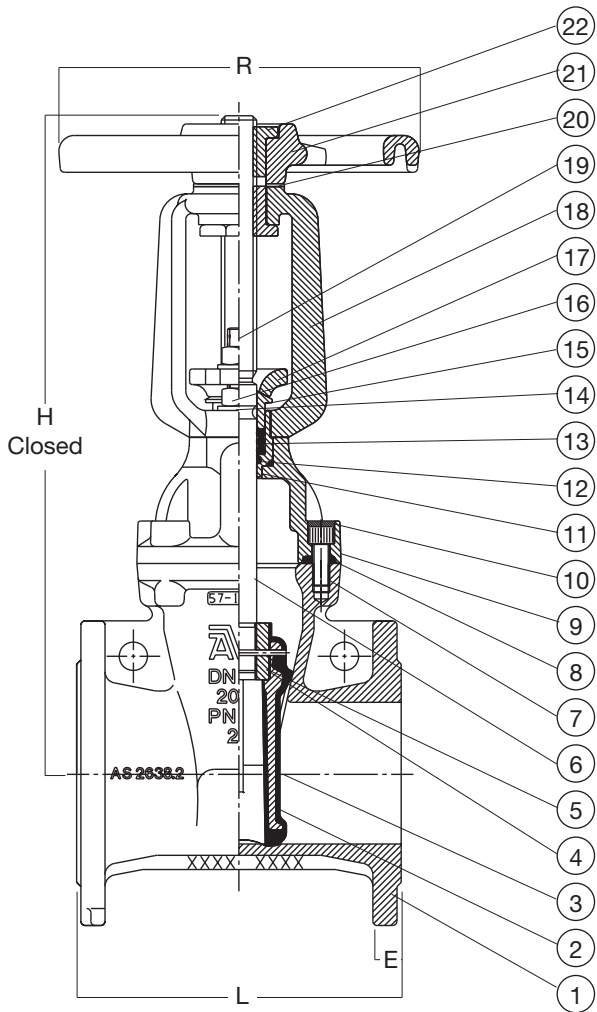
Designs, materials and specifications shown are subject to change without notice due to our continuing program of product development.



Face to face dimension to AS 2638.2
 Flange drilling to AS 2129 Table E

Component list

- | | | | |
|---------------|-----------------------|--------------------|---------------|
| 1. Valve body | 7. Bonnet bolt | 13. O-ring | 19. Stud bolt |
| 2. Wedge body | 8. Bonnet gasket | 14. Washer | 20. Washer |
| 3. Wedge | 9. Valve bonnet | 15. Gland | 21. Handwheel |
| 4. Stem nut | 10. Bonnet bolt seals | 16. Hexagon nut | 22. Stem nut |
| 5. Pin | 11. Gland bushing | 17. Gland follower | |
| 6. Stem | 12. O-ring | 18. Yoke | |



Ref. nos.	DN	H open mm	H closed mm	R mm	L mm	D mm	E mm	Holes mm	Turns to open	Weight kilos
57-080-46	80	429	350	229	203	185	18	4	20	25
57-100-46	100	524	420	279	229	215	20	4	21	39
57-150-46	150	736	581	330	267	280	23	8	26	63
57-200-46	200	942	736	356	292	335	23	8	35	97
57-250-46	250	1138	882	457	330	405	24	8	37	157
57-300-46	300	1317	1009	457	356	455	30	12	44	238