



## Model 740 Bi-directional Gate Valve

FIG 740 is designed to meet the requirements of a general purpose bi-directional shut-off valve. An elastomer seal is held in a groove in the single-piece cast body and provides peripheral sealing of the gate edge. Since there is no raised seat or pressure-assisted sealing as in conventional uni-directional knife gate valves, FIG 740 provides zero leak bi-directional shut-off from minimum pressure to the rated pressure.

Port opening is same as for schedule 40 pipe thereby offering unrestricted flow and minimum pressure drop.



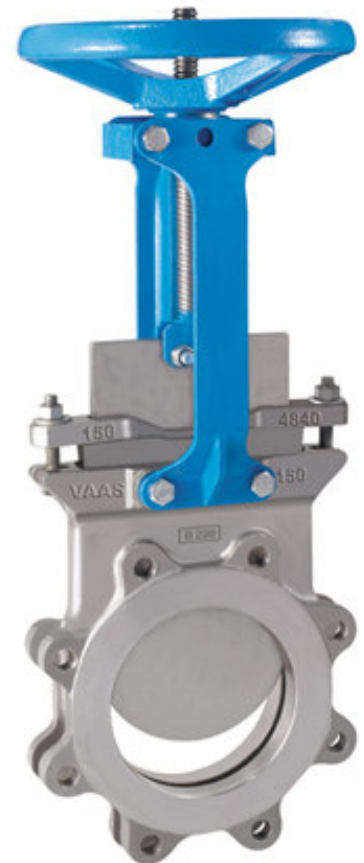
Locked-in wire reinforced replaceable elastomer seal

### Typical applications

- General bi-directional shut-off applications
- Water & sewage applications
- As a replacement for conventional gate or sluice valves

### Specifications

Type	Bi-directional gate valve
Size range	50mm to 600mm (higher sizes on application)
Pressure rating	CWP-10 bar
Endstyle	Full lug
Face-to face	As per MSS SP-81
Drilling	Suitable for mounting between flanges drilled to ANSI 150lb (standard); others on request.
Body	Stainless steel; carbon steel. Others on application
Seat	Replaceable, elastomer cord seal; chloroprene standard; max. service temp- 80 deg C
Gate	304/316 stainless steel plated is standard; others on request
Stem	304 st. steel standard; others on request
Superstructure	Steel yoke, epoxy plated standard; others on request
Actuator options	Direct mounted rising stem hand wheel standard; non- rising hand wheel, chain wheel, geared hand wheel, pneumatic cylinder and electric actuator options available
Special	Can be provided with <b>bolt-on bonnet</b> where required



### Test Specifications

Body shell test      Tested at 1.5 times CWP  
 Seat test            Tested at 1.1 times CWP for zero leak in either direction

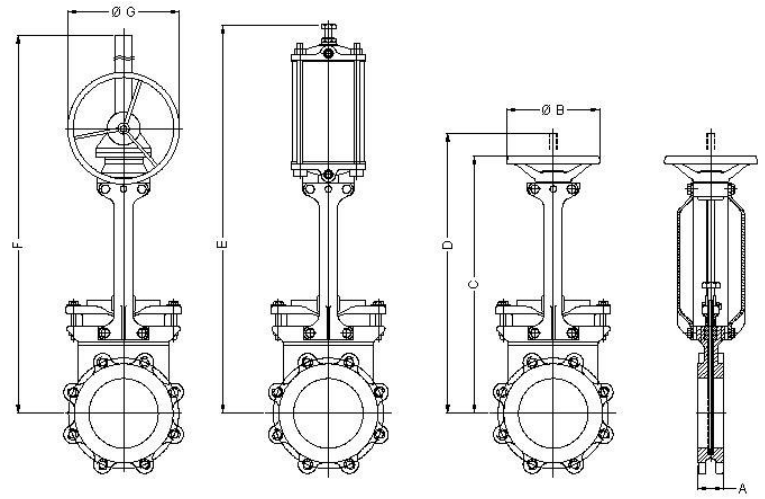
### Painting

Standard paint is two-pack epoxy in blue color (other paint options available on request)

### Dimensions

All dimensions in mm

Valve size, mm (inch)	A	B	C	D	E	F	G
50 (2)	48	203	350	375	505		
80 (3)	51	203	415	465	595		
100 (4)	51	203	460	535	660		
125 (5)	57	254	510	605	760		
150 (6)	57	254	550	665	820	695	500
200 (8)	70	305	650	815	995	845	500
250 (10)	70	406	695	945	1130	975	500
300 (12)	76	406	785	1085	1305	1115	500
350 (14)	76	508	945	1300	1490	1330	500
400 (16)	89	508	960	1360	1550	1390	500
450 (18)	89	508	1085	1545	1730	1575	500
500 (20)	114	508	1200	1700	1945	1730	500
600 (24)	114	508	1395	2000	2245	2030	500



### Actuator selection

Valve Size, mm (inch)	50 (2)	80 (3)	100 (4)	150 (6)	200 (8)	250 (10)	300 (12)	350 (14)	400 (16)	450 (18)	500 (20)	600 (24)
Direct Hand wheel	CHG	CHG	CHG	CHG	CHG	CHG	CHG	CHG				
Gear Hand wheel					G01	G01	G02	G02	G03	G03	G03	G03
Pneumatic DA Cylinder	C4	C4	C4	C6	C8	C10	C12	C12	C12	C16	C16	C16

### Ordering

Please refer Datasheet 100 for complete ordering information for VAAS range of valves

### VAAS Industries Pvt Ltd

73, Industrial Estate, Chennai – 600 096, India

Tel : +91-44-4262-9500 Fax: +91-44-4262-9501 Email : [sales@vaasval.com](mailto:sales@vaasval.com) Web: [www.vaasval.com](http://www.vaasval.com)

All statements, technical information and recommendations in this bulletin are for general use only. Consult VAAS representative or factory for specific requirements and material selection for your intended application. The right to change or modify product design or product without prior notice is reserved

VAAS/740/3000/12/2008