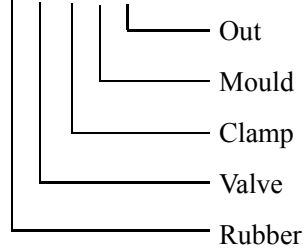


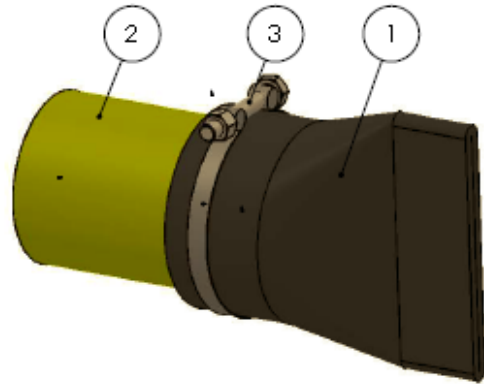
Clamp Mould Type Duckbill Valve

Model: RV-CMO



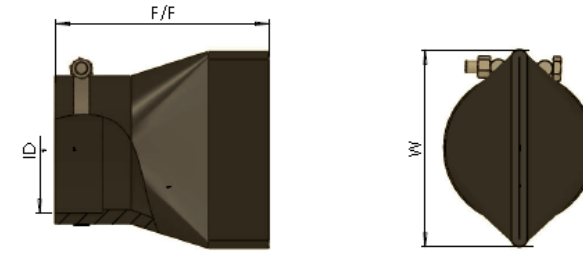
Specifications:

RV-CMO is mould made type duckbill valves, also called slip on duckbill valve, supply range is from DN20 to DN300. One piece rubber construction makes sealability better. It is mostly used for sea water, slurry, industrial sewage. It will slip on a pipe and fixed with a clamp.



Item	Part	Material
1	Valve	Neoprene/EPDM/Nitrile
2	Pipe	CS/SS/DI/PVC, etc.
3	Clamp	SS316/SS304, CS

Data Sheet:



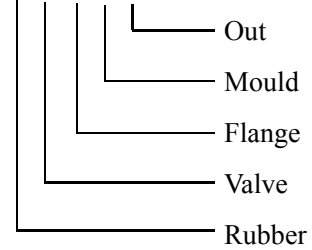
DN	20	25	32	40	50	65	80	100	125	150	200	250	300
ID	28	32	42	50	62	77	92	112	138	159	219	273	325
F/F	90	90	96	107	120	140	167	190	224	260	330	370	475
W	37	48	57	67	86	116	143	175	212	254	350	400	435
Weight(kg)	0.1	0.13	0.17	0.2	0.24	0.35	0.7	1	1.4	2.63	5.2	9	14

Note:

1. Supply range from DN20 to DN300. Refer to RV-CSO if other size requested.
2. Clamp material normally to be SS304, other material available.
3. Dimensions are approximate and may change due to pipe dimension changes, inlet, back pressures and flow rates.
4. The weight is approximate without clamp.

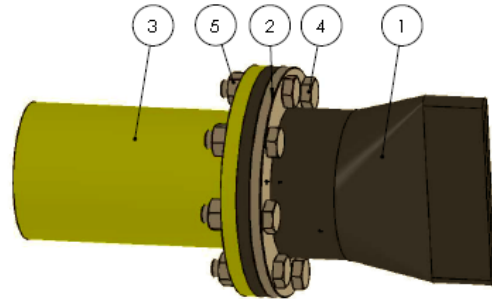
Flange Mould Type Duckbill Valve

Model: RV-FMO



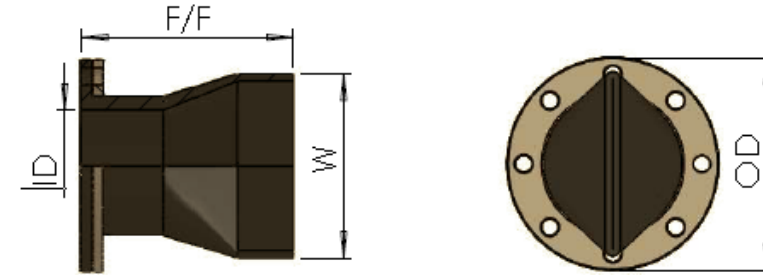
Specifications:

RV-FMO is mould made type duckbill valves, supply range is from DN20 to DN300. One piece rubber construction makes sealability better. It is mostly used for sea water, slurry, industrial sewage. Flange drilling can be according to DIN PN10/16, ANSI #150, JIS 10K TableD/E.



Item	Part	Material
1	Valve	Neoprene/EPDM/Nitrile
2	Ring Flange	CS/SS/DI/PVC, etc.
3	Pipe & Flange	CS/SS/DI/PVC, etc.
4	Bolt	CS/SS
5	Nut	CS/SS

Data Sheet:



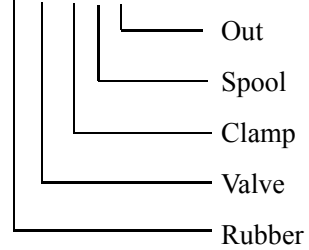
DN	20	25	32	40	50	65	80	100	125	150	200	250	300
F/F	80	80	90	97	120	160	180	210	240	215	350	455	495
OD	105	115	140	150	165	185	200	220	250	285	340	405	460
ID	20	25	32	40	50	65	80	100	125	150	200	250	300
W	37	48	57	67	100	120	140	175	210	254	345	455	480
Weight(kg)	0.1	0.1	0.2	0.2	0.3	0.5	0.9	1.4	2	2.7	5.3	10.2	15.8

Note:

1. Supply range from DN20 to DN300. Refer to RV-FSO if other size requested.
2. Any flange standard drillings available upon request.
3. Dimensions are approximate and may change due to pipe dimension changes, inlet, back pressures and flow rates.
4. The weight is approximate without ring flange.

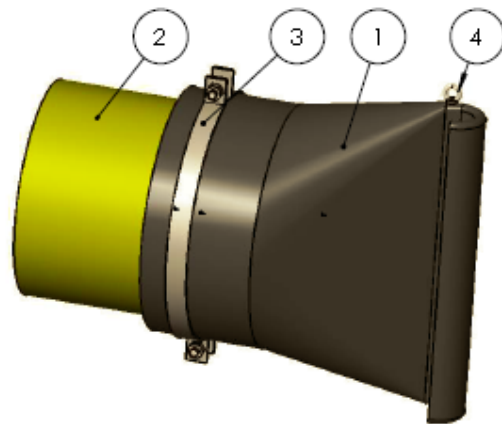
Clamp Mould Type Duckbill Valve

Model: RV-CSO



Specifications:

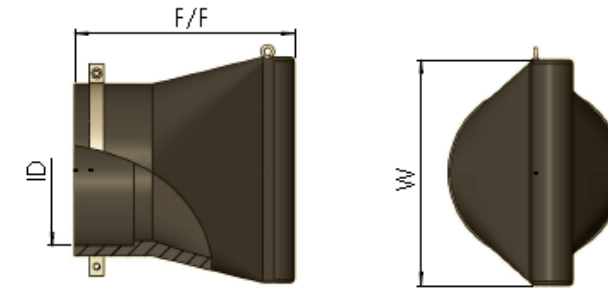
RV-CSO is fabric spool type duckbill valves, also called slip on duckbill valve, supply range is from DN150 to DN2400. The shape and dimensions can change easily according to customers' request. It is mostly used for sea water, slurry, industrial sewage. It will slip on a pipe and fixed with a clamp.



Item	Part	Material
1	Valve	Neoprene/EPDM/Nitrile
2	Pipe	CS/SS/DI/PVC, etc.
3	Clamp	SS316/SS304, CS
4	Eye Bolt*	SS304/CS

*Eye bolt only available when size above DN500 or upon request.

Data Sheet:



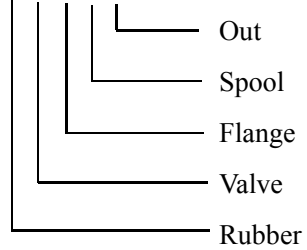
DN	150	200	250	300	350	400	450	500	600	700	800
ID	159	219	273	325	377	426	480	530	630	720	820
F/F	260	330	370	475	530	630	670	737	862	932	1060
W	254	350	400	435	490	605	645	750	880	950	1220
Weight(kg)	2.63	5.2	9	14	18.1	26.4	28.8	34.4	67.6	83	127
DN	900	1000	1200	1400	1500	1600	1800	2000	2200	2400	
ID	920	1020	1220	1420	1520	1620	1820	2020	2220	2420	
F/F	1115	1260	1490	1562	1557	1670	1975	2115	2542	3121	
W	1320	1430	1620	1960	2060	2140	2700	2860	3500	3838	
Weight(kg)	155	173	252	330	410	523	613	765	820	942	

Note:

- Supply range from DN150 to DN2400. Any size or dimensions are available.
- Clamp material normally to be SS304, other material available.
- Dimensions are approximate and may change due to pipe dimension changes, inlet, back pressures and flow rates.
- The weight is approximate without clamp.

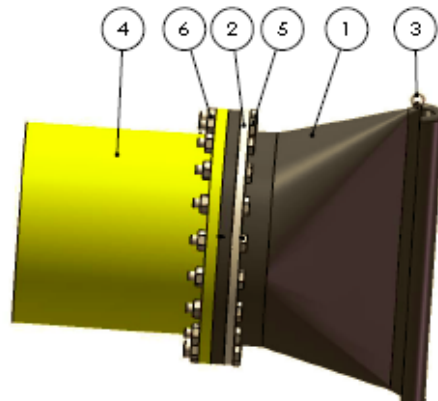
Flange Spool Type Duckbill Valve

Model: RV-FSO



Specifications:

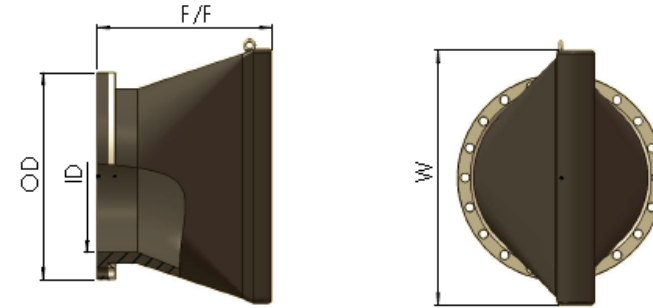
RV-FSO is fabric spool type duckbill valves, normally supply range is from DN150 to DN2400. The shape and dimensions can change easily according to customers' request. It is mostly used for sea water, slurry, industrial sewage. Flange drilling can be according to DIN PN10/16, ANSI #150, JIS 10K TableD/E.



Item	Part	Material
1	Valve	Neoprene/EPDM/Nitrile
2	Ring Flange	CS/SS/DI/PVC, etc.
3	Eye Bolt*	SS304/CS
4	Pipe & Flange	CS/SS/DI/PVC, etc.
5	Bolt	SS/CS
6	Nut	SS/CS

*Eye bolt only available when size above DN500 or upon request.

Data Sheet:



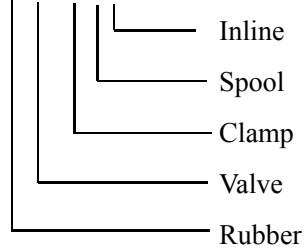
DN	150	200	250	300	350	400	450	500	600	700	800
OD	285	340	395	445	505	565	615	670	780	895	1015
F/F	215	350	455	495	620	660	690	760	920	1120	1180
W	254	345	455	480	600	680	750	850	980	1130	1250
Weight(kg)	2.72	5.26	10.2	15.83	20	26	34.6	40.3	61.5	85.6	114
DN	900	1000	1200	1400	1500	1600	1800	2000	2200	2400	
OD	1115	1230	1405	1630	1720	1830	2045	2265	2475	2685	
F/F	1110	1350	1400	1600	1600	1860	1630	1630	2147	2604	
W	1170	1450	1800	1900	2070	2080	2360	2700	3500	3838	
Weight(kg)	135	185	272	377	410	456	580	695	770	820	

Note:

1. Supply range from DN150 to DN2400. Any size or dimensions are available..
2. Any flange standard drillings available upon request.
3. Dimensions are approximate and may change due to pipe dimension changes, inlet, back pressures and flow rates.
4. The weight is approximate without ring flange.

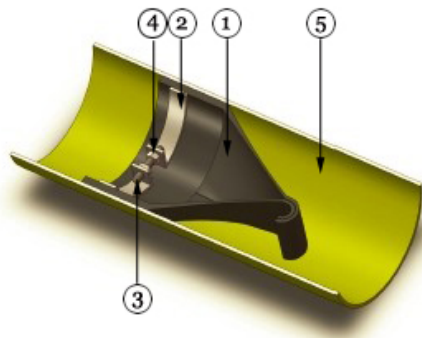
Clamp Inline Type Duckbill Valve

Model: RV-CSI



Specifications:

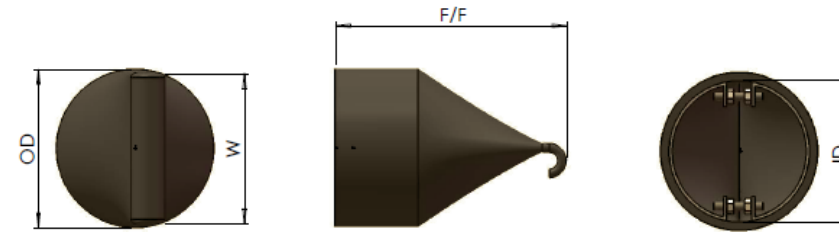
RV-CSI is fabric spool type duckbill valve, it is suitable for in line application. Normally supply range is from DN100 to DN600, any other sizes available upon request. The shape and dimensions can change easily according to customers' request. It is mostly used for sea water, slurry, and industrial sewage.



Item	Part	Material
1	Valve	Neoprene/EPDM/Nitrile
2	Clamp	CS, Zinc Plated /SS304/SS316
3	Bolt*	CS, Zinc Plated /SS304/SS316
4	Nut*	CS, Zinc Plated /SS304/SS316
5	Pipe*	Steel/DI/PVC/Concrete etc.

*Pipe, bolt and nut are not supplied.

Data Sheet:



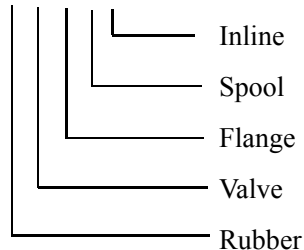
PIPE (mm)	Valve Dimensions (mm)			Working (bar)	Weight (kgs)
	OD	F/F	W		
110	110	200	180	5	2.1
160	160	250	149	5	2.7
200	200	280	188	5	5.3
250	250	370	235	5	10.2
315	315	430	297	5	19.5
400	400	520	377	3	26
500	500	570	472	3	40.3
630	630	600	596	3	61.5

Note:

- Any pipe size available upon request, sizes beyond the above table MOQ is 5 PCS. Contact GYLDT and inform your pipe ID before you place an order.
- Materials not in above table available upon request.
- Dimensions are approximate and may change due to pipe dimension changes, inlet, back pressures and flow rates.
- The weight is approximate.

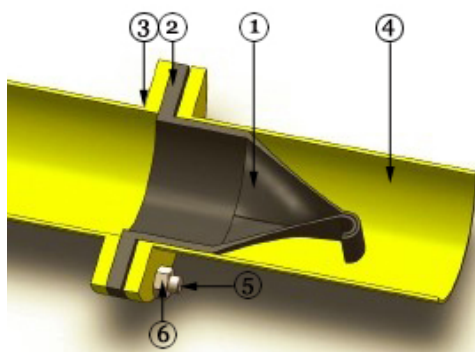
Flange Inline Type Duckbill Valve

Model: RV-FSI



Specifications:

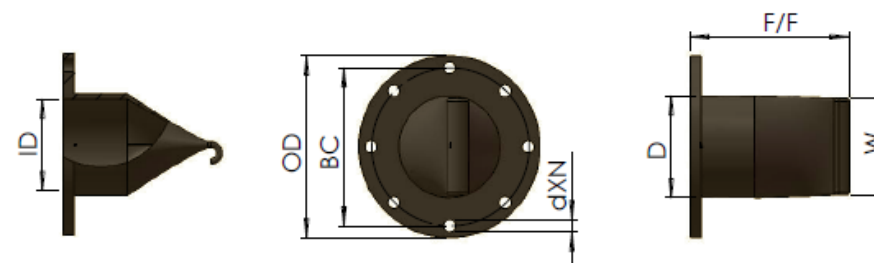
RV-FSI is fabric spool type duckbill valve, it is suitable for in line application. Normally supply range is from DN100 to DN600, any other sizes available upon request. The shape and dimensions can change easily according to customers' request. It is mostly used for sea water, slurry, and industrial sewage. Flange drilling can be according to DIN PN10/16, ANSI #150, JIS 10K TableD/E.



Item	Part	Material
1	Valve	Neoprene/EPDM/Nitrile
2	Rubber Flange	Neoprene/EPDM/Nitrile
3	Flange*	Steel/DI/PVC, etc.
4	Pipe*	Steel/DI/PVC/Concrete etc.
5	Bolt*	CS, Zinc Plated /SS304/SS316
6	Nut*	CS, Zinc Plated /SS304/SS316

*Flange, pipe, bolt and nut are not supplied.

Data Sheet:



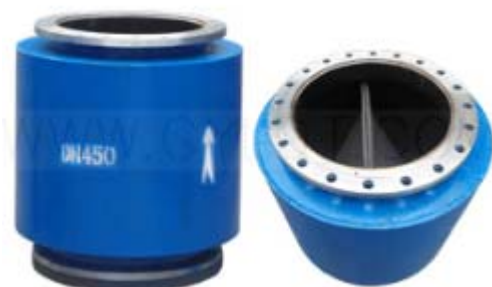
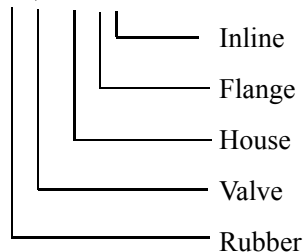
PIPE SIZE	Valve Dimensions (mm)							Working	Weight
(mm)	F/F	OD	BC	d	N	D	W	(bar)	(kgs)
110	210	220	180	18	8	100	98	5	2.1
160	270	285	240	23	8	152	149	5	3.2
200	280	340	295	23	8	190.2	180	5	5.9
250	370	395	350	23	12	237.6	220	5	11.32
315	440	445	400	23	12	299.6	298	5	21.5
400	530	565	515	25	16	380.4	390	3	29.8
500	620	670	620	25	20	475.4	472	3	45.2
630	730	780	725	30	20	599.2	596	3	72.1

Note:

- Any pipe size available upon request, sizes beyond the above table MOQ is 5 PCS. Contact GYLDT and inform your pipe ID before you place an order.
- Any other flange standard available upon request.
- Dimensions are approximate and may change due to pipe dimension changes, inlet, back pressures and flow rates.
- The weight is approximate.

Housed Flange Inline Duckbill Valve

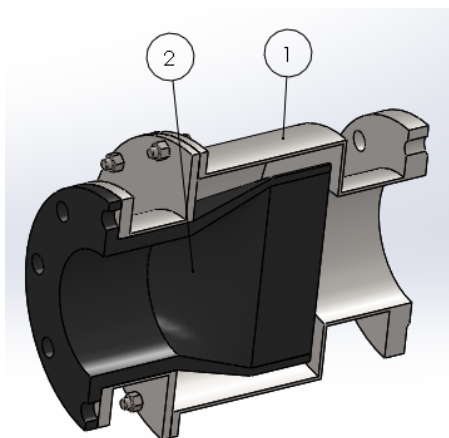
Model: RV-HFI



Specifications:

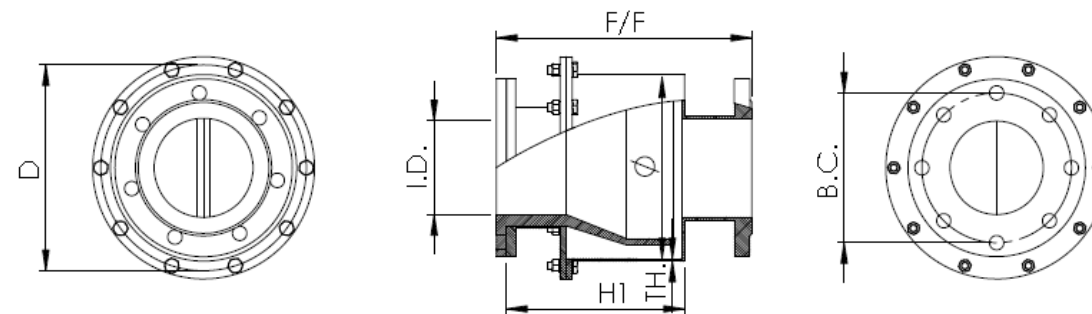
RV-HFI Duckbill Valve is Housed Type manufactured exactly the same as Flanged Type in rubber valve body, but finished with a carbon steel shell, which makes the Series RV-HFI duckbill valves a part of the pipe line. The Valves can be installed easily between the pipes with flanges.

Normally, Liangda manufactures RV-HFI duckbill valves from DN150mm to DN1200mm, but we can supply the valves with any dimensions to meet your needs.



Item	Part	Material
1	Shell	CS/SS
2	Valve	Neoprene/EPDM/Nitrile

Data Sheet:



SIZE	VALVE DIMENSIONS			SHELL DIMENSIONS					TH. (mm)	Weight (kgs)
I.D. (mm)	B.C. (mm)	L (mm)	W (mm)	Weight (kes)	F/F (mm)	H1 (mm)	Φ (mm)	D (mm)		
150	240	285	247	3.8	388	301	287	352	2.5	13
200	295	346	306	5.2	425	350	342	410	4	19
250	350	400	380	9.4	507	420	425	493	4	27
300	400	430	480	12.8	555	456	520	588	4	36
350	460	520	540	19.4	631	530	590	658	4	44
400	515	550	605	20.6	687	580	655	723	4	53
450	565	605	645	25.5	742	635	695	763	4	65
500	620	630	750	35	673	560	800	868	4	77
600	725	760	880	56.2	877	790	925	1005	4	90
700	840	775	950	70	940	820	1000	1080	4	107
800	920	860	1220	90	1030	910	1280	1360	5	133
900	1020	940	1320	115	1110	990	1380	1460	5	148
1000	1120	1150	1430	142	1300	1180	1500	1582	6	172
1200	1340	1210	1620	272	1405	1260	1700	1782	6	203

Note:

1. Supply range from DN150 to DN1200. Any size or dimensions are available.
2. Any flange standard drillings available upon request.
3. Dimensions are approximate and may change due to pipe dimension changes, inlet, back pressures and flow rates.