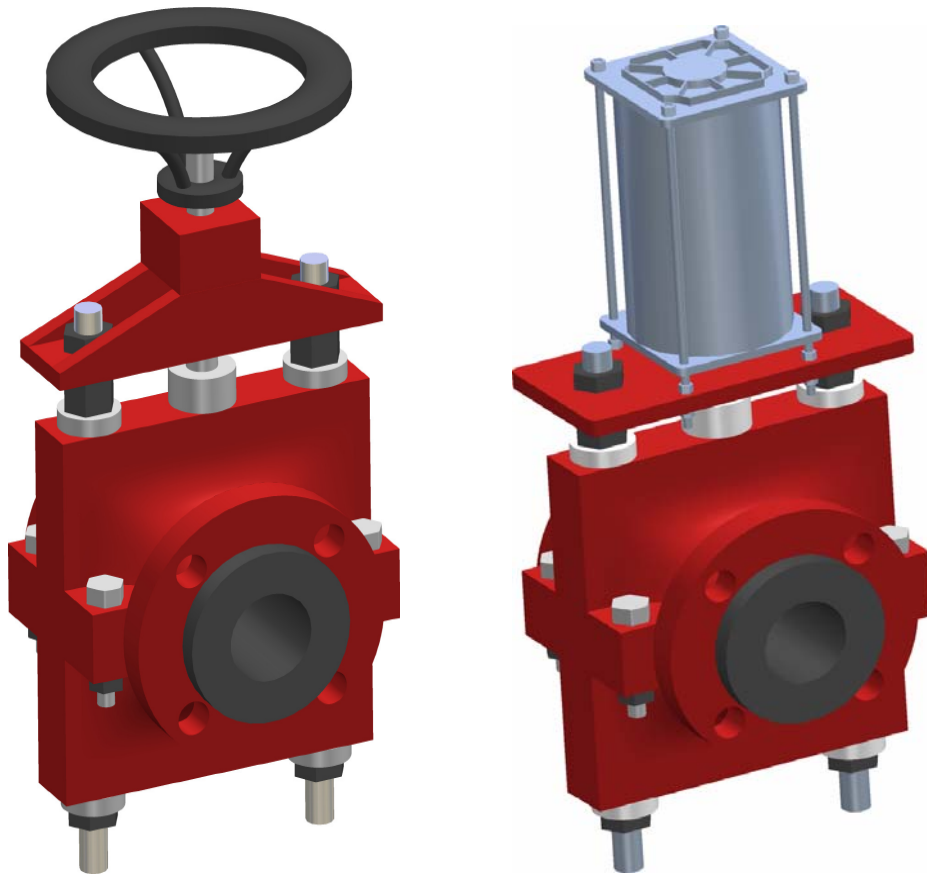


RHINOFLEX..... EN - SERIES

ENCLOSED BODY PINCH VALVE



The **RHINOFLEX** *EN-Series* is a compact, rugged and robust Pinch Valve. These valves are reliable and maintenance free, and are engineered and designed for highly abrasive and aggressive slurry applications.

The **RHINOFLEX** *EN-Series* has a simple yet trustworthy design, consisting of two pinch bars that open and close the Elastomer Sleeve. The field replaceable sleeve is the **ONLY** wetted part which is reinforced and fabricated using high quality elastomer materials, and provides for smooth operation with no clogging, jamming, etc, and can even close tight on solids.

Features:

- Easily Interchangeable with standard Diaphragm Valves (BS5156 Face to Face)
- No moving parts, only one wear resistant elastomer sleeve.
- Will not Clog, Self Cleaning.
- Drop tight closure around solid particles.
- Full Bore, Full Flow.
- Minimum Pressure Drop.
- Inexpensive Air/Hydraulic actuation
- ON-OFF or Control Service.
- Fast and Easy Sleeve Replacement and Servicing.

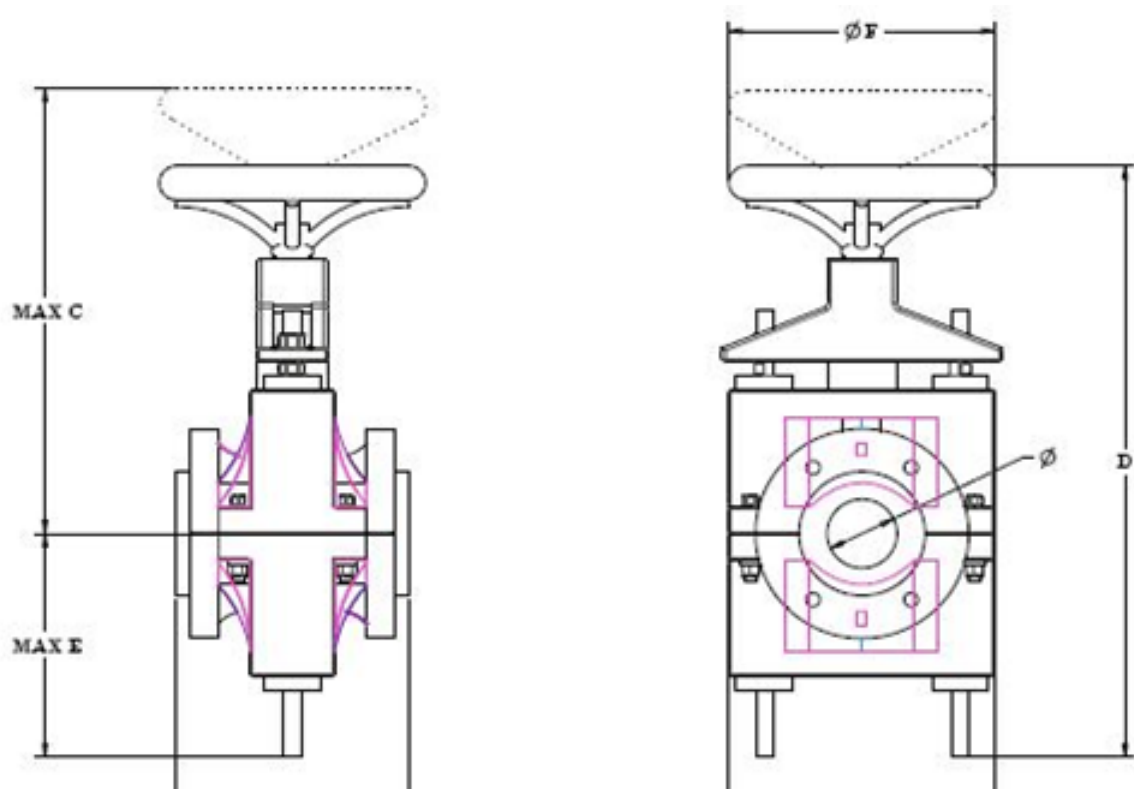
Applications:

- Mineral Concentrates, Slurry Lines, Tailings
- Flotation cells, Thickener / Clarifier underflow
- Cyclone Control/Isolation
- Dewatering/Sludge disposal
- Lime Transfer/Abrasive Corrosive Chemicals
- Power stations/ Fly Ash / Bottom Ash
- Mineral Sands/Gravel/Cement
- Pneumatic Conveying/Dry Hoppers
- Water/Waste Water/Sewage/Effluent
- Inks/Blood/Food/Wine/Beverages/Pulp/Paper/Starch

The **RHINOFLEX** EN-Series pinch valve is bidirectional and full bow. In the open position the valve will be as part of the pipe line, but when closed the simple standard mechanical operation using double pinch bar mechanism to compress the elastomer sleeve from top and bottom closing simultaneously at the center to provide a bubble tight shutoff.

The **RHINOFLEX** EN-Series pinch valve is available with Ductile iron body fully flanged to suite all standard drilling patterns (ANSI, BS, TABLE B/E, BIN etc.). Both manual hand wheel operations and pneumatic linear actuator type of operators are available. With instrumentation this valve can be used very successfully as a Control Valve.

The Elastomer sleeve materials are available in Pure Gum Rubber, Natural Rubber, SBRT, Neoprene, Buna-N, Butyl, Hypalon, EPDM, and Viton depending upon the application as required.



SIZE-Ø	PN (BAR)	A	B	C	D	E	F	WCl
EN-25	1-25	165	125	255	330	87	165	12
EN-32	1-25	165	140	260	334	90	165	15
EN-40	1-25	165	180	265	350	105	165	17
EN-50	1-25	165	190	280	375	120	165	19
EN-65	1-25	165	210	310	414	136	165	23
EN-80	1-25	200	245	370	485	155	200	38
EN-100	1-10	250	278	400	525	175	200	45
EN-100	16-25	250	278	410	535	175	400	48
EN-125	1-25	310	340	465	613	210	320	76
EN-150	1-25	375	400	560	725	240	320	110
EN-200	1-10	500	480	690	885	295	400	165
EN-250	1-6	625	570	865	1120	380	600	218
EN-300	1	750	720	1020	1315	445	600	285

RHINOFLEX *expect less wear and enhance value*

TEL: + 61-8-92758584 FAX: + 61-8-92750258 MOB: + 61-0405505073
 email:sales@rhinoflexvalves.com , 2 Luderman Rd, Noranda, Western Australia 6062
www.rhinoflexvalves.com