

Ball check valve KRV 360

Corrosion resistant

Low pressure los

Free of metal

Solvent or fusion welding connection

Fracture-proof

Maintenance free

Fitting position

- made of PVC-U, PP or PVDF
- ball as shut-off device
- advantageous body design
- no fluid oxidation
- union or flange connection available
- PN 10, materials of high impact strength
- simple installation, for a long life-time
- only vertical, closing the back flow (closing function) towards the direction of the arrow (upright piston)



Material:

Housing, union nut, ball:

- uPVC
- PP
- PVDF

Gasket:

- EPDM
- FPM (Viton A)

Technical data:

Nominal pressure¹⁾: PN 10 bei 20 °C
 Please observe the specific gravity of the ball made of PP.

Media temperature:

Depends on the operating conditions (system pressure, load etc.). Taking creep strength into account, the following approximate temperatures apply:

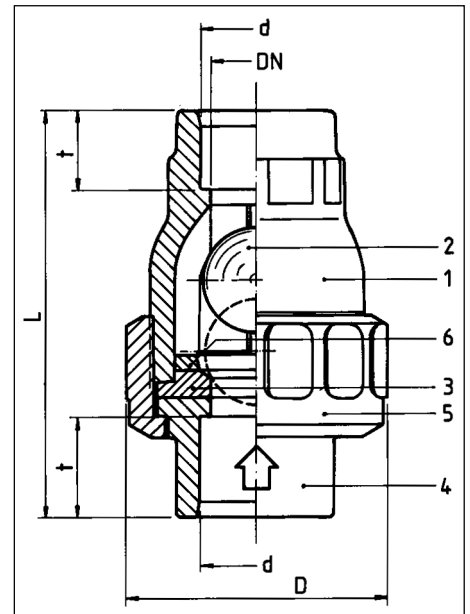
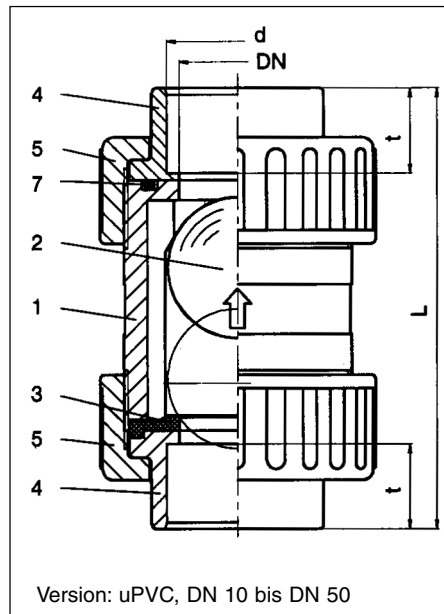
- uPVC : - 10 bis + 60 °C
- PP: +10 bis + 80 °C
- PVDF: - 30 bis +120 °C
- EPDM: - 30 bis +120 °C
- FPM: - 30 bis +120 °C

For other media see ASV resistance guide.

Connections:

- uPVC-socket ends for solvent welding acc. DIN/ISO
- PP-, PVDF-socket ends for fusion welding acc.DIN/ISO

- on request with female thread or with flange connection available



Print 330 035 04/02

Dimensions:

Housing				uPVC	uPVC	PP	PP	PVDF	PVDF			
Gasket				EPDM	FPM	EPDM	FPM	EPDM	FPM			
Size			t	L		D						
d	DN	Zoll	PVC-U	PP	PVC-U	PP	PVC-U	PP	Ident-Nr.	Ident-Nr.	Ident-Nr.	Ident-Nr.
			PVDF	PVDF	PVDF	PVDF	PVDF	PVDF				
16	10	3/8"	15	-	78	-	50	-	60550	60557	-	-
20	15	1/2"	15	16	78	82	50	48	60551	60558	48070	41149
25	20	3/4"	18	19	94	97	60	60	60552	60559	48046	41150
32	25	1"	22	22	104	107	68	70	60553	60560	48071	41151
40	32	1 1/4"	26	-	126	-	80	-	60554	60561	-	-
50	40	1 1/2"	31	31	146	152	96	95	60555	60562	48072	48075
63	50	2"	38	38	176	183	116	106	60556	60563	48073	41499
90	80	3"	51	51	252	252	152	152	43932	59034	48074	41505
110	100	4"	61	61	331	331	210	210	120986	128756	114725	128757

¹⁾ for H₂O at 20 °C

Pressure/temperature diagram:

See material pressure/temperature diagram.

The pressure/temperature limits are applicable for a computed operating life factor of 25 years at PN 10.

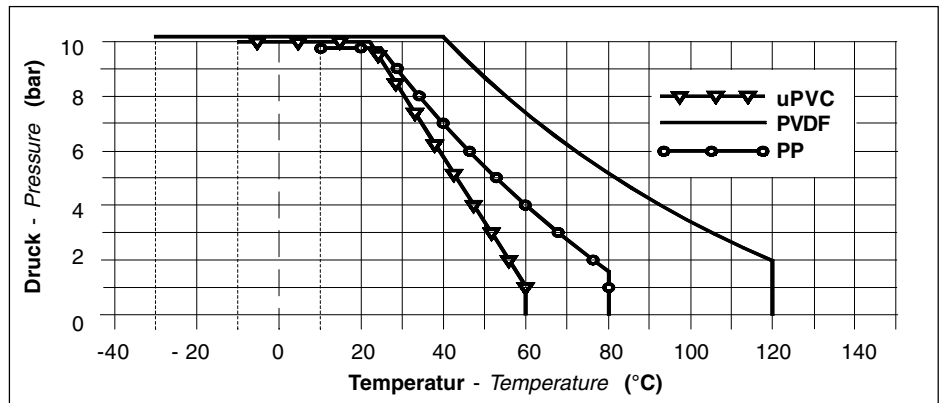
The values are a guide for harmless fluids (DIN 2403) the material of the valve is resistant against.

For other media see ASV resistance guide.

Durability of wear and tear parts is depending on the working conditions of the application.

Values < 0 °C (PP < +10 °C) on request with exact data of operation.

Pressure/temperature diagram:



Pressure loss and kv-values:

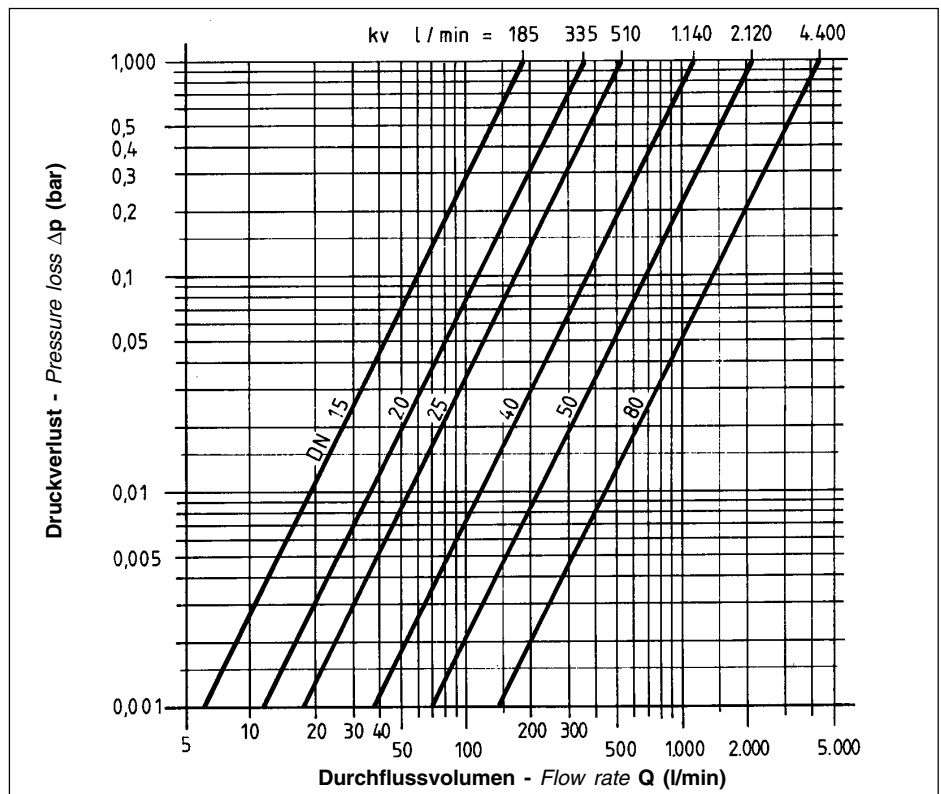
The chart shows the pressure loss Δp over the flow Q.

For calculation:

$$k_v = 14,28 \times C_v = 17,09 \times f_v$$

Weight, operating (ö) and closing pressure (s)

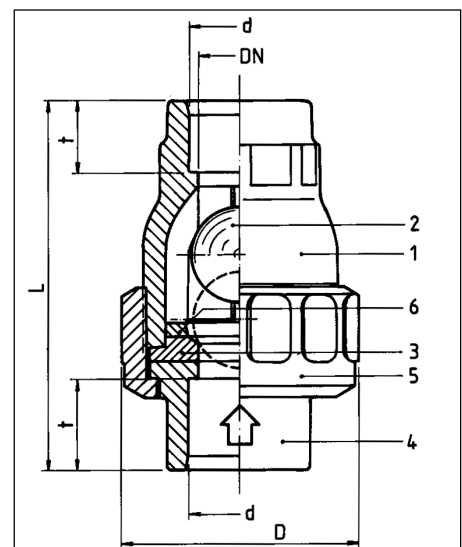
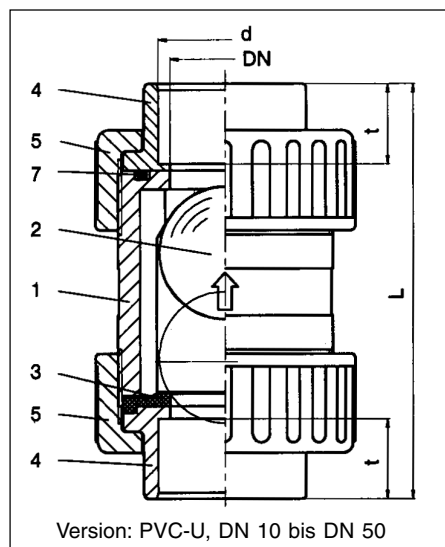
Size mm	Weight			ö mbar (at air)	s
	PVC	PP	PVDF		
d	kg	kg	kg		
16	0,10	-	-	50	200
20	0,10	0,06	0,12	50	200
25	0,17	0,10	0,20	50	200
32	0,25	0,15	0,30	50	300
40	0,40	-	-	100	300
50	0,60	0,35	0,75	100	300
63	1,00	0,50	1,00	100	300
90	2,30	1,60	2,80	100	300
110	6,00	4,00	7,20	100	300



Part list

Part No.	Pcs.	Denomination
1	1	Housing
2	1	Ball
3	1	Gasket
4	1	Inlay
	2	(uPVC)
5	1	Union nut
	2	(uPVC)
6	1	Support ring
7	1	O-ring

Materials according to order no.



Technical alterations excepted