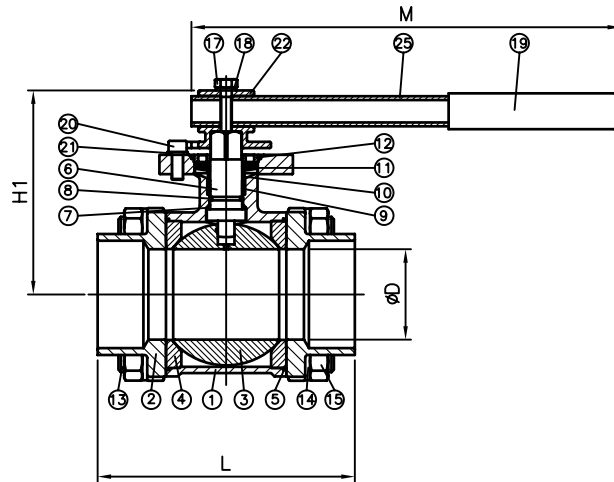
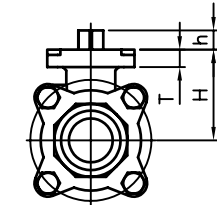


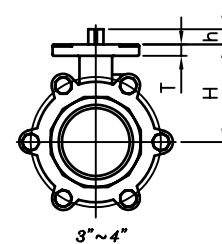
1/4"~2"



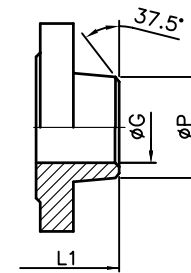
2-1/2"~4"



1/4"~2-1/2"

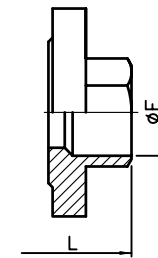


3"~4"



Butt Weld End

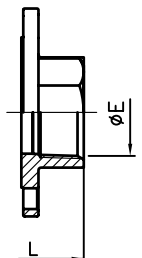
Length According to DIN3202-S13



Socket Weld End

Length According to DIN3202-M3

(Except 1/4" & 3/8")



Threaded End

Length According to DIN3202-M3

(Except 1/4" & 3/8")

| NO. | PART NAME | MATERIAL | Q'ty |
|-----|-------------------------|---------------|-----------------------------------|
| 1 | Body | 1.4408 (CF8M) | 1 |
| 2 | Cap | 1.4408 (CF8M) | 2 |
| 3 | Ball | CF8M | 1 |
| 4 | Seat | PTFE | 2 |
| 5 | Body Gasket | PTFE | 2 |
| 6 | Stem | SS316 | 1 |
| 7 | Stem Seal | PTFE | 1 |
| 8 | O-Ring | VITON | 1 |
| 9 | Stem Packing | PTFE | 1 |
| 10 | Gland | SS304 | 1 |
| 11 | Belleville Washer | SS301 | 2 |
| 12 | Disc Plate | SS304 | 1 |
| 13 | Body Bolt | SS304 | 1/4"~2-1/2":4 3"~4":6 |
| 14 | Washer | SS304 | 1/4"~2":4 2-1/2":8 3"~4":12 |
| 15 | Nut | SS304 | 1/4"~2":4 2-1/2":8 3"~4":12 |
| 16 | Handle 1/4"~2" | SS304 | 1 |
| 17 | Handle Bolt | SS304 | 1 |
| 18 | Handle Washer | SS304 | 1 |
| 19 | Handle Sleeve 1/4"~2" | VINYL | 1 |
| 20 | Stop Bolt | SS304 | 1 |
| 21 | Stop Washer | SS304 | 1 |
| 22 | T-Boss 2-1/2"~4" | SS304 | 1 |
| 23 | Handle Bolt 2-1/2"~4" | SS304 | 1 |
| 24 | Handle Sleeve 2-1/2"~4" | VINYL | 1 |
| 25 | Handle 2-1/2"~4" | WCB | 1 |

| SIZE | ØD | ØE | ØD | ØG | ØP | L | L1 | T | H | h | h1 | M | S | ISO-5211 (A) | ISO-5211 (B) |
|--------|-------|-----|-------|-------|-------|-----|-----|------|-----|----|-----|-----|----|--------------|--------------|
| 1/4" | 11.5 | PT | 14.4 | 10.4 | 13.8 | 65 | 70 | 9 | 42 | 7 | 76 | 130 | 9 | F03-PCD36 | F04-PCD42 |
| 3/8" | 12.6 | | 17.7 | 13.7 | 17.3 | 65 | 70 | 9 | 42 | 7 | 76 | 130 | 9 | F03-PCD36 | F04-PCD42 |
| 1/2" | 15.0 | | 22.0 | 15.0 | 21.7 | 75 | 75 | 9 | 42 | 7 | 76 | 130 | 9 | F03-PCD36 | F04-PCD42 |
| 3/4" | 20.0 | | 27.4 | 21.4 | 28.3 | 80 | 90 | 9 | 45 | 8 | 80 | 130 | 9 | F03-PCD36 | F04-PCD42 |
| 1" | 25.0 | PF | 34.1 | 27.2 | 34.0 | 90 | 100 | 10 | 52 | 11 | 95 | 190 | 11 | F04-PCD42 | F05-PCD50 |
| 1-1/4" | 32.0 | | 42.9 | 35.5 | 42.7 | 110 | 110 | 10 | 57 | 11 | 95 | 190 | 11 | F04-PCD42 | F05-PCD50 |
| 1-1/2" | 38.0 | | 49.0 | 41.2 | 48.6 | 120 | 125 | 13 | 68 | 14 | 115 | 205 | 14 | F05-PCD50 | F07-PCD70 |
| 2" | 50.0 | | 61.4 | 52.7 | 60.5 | 140 | 150 | 13 | 77 | 14 | 115 | 205 | 14 | F05-PCD50 | F07-PCD70 |
| 2-1/2" | 65.0 | NPT | 77.0 | 65.3 | 76.3 | 185 | 190 | 13 | 99 | 17 | 160 | 300 | 17 | F07-PCD70 | F10-PCD102 |
| 3" | 80.0 | | 90.0 | 78.0 | 78.0 | 205 | 220 | 13 | 111 | 17 | 170 | 300 | 17 | F07-PCD70 | F10-PCD102 |
| 4" | 100.0 | | 115.4 | 102.3 | 102.3 | 240 | 270 | 16.5 | 141 | 22 | 200 | 400 | 22 | F10-PCD102 | F12-PCD125 |



APEX CONTROLS CO., LTD.

NO.15, JEN-YI ST., WU-JIH HSIANG TAICHUNG, TAIWAN, 414, R.O.C.

E-mail Address : sales@apexcontrols.com.tw

Website : www.apexcontrols.com.tw

TEL : +886-4-23388440 FAX : +886-4-23388441

| | | | | | | | | |
|-----|--------------------|------|--------------|--------|---|--------------------|-------|------------|
| NO. | REASONS FOR CHANGE | DATE | REVISION | 00 | Three-Piece High Cycle Ball Valve FULL PORT , 1000PSI | | | |
| | | | SCALE | Free | SIZE | 1/4"~4" | MODEL | 3-6 |
| | | | UNIT | mm | MAT'L | ASTM A351 Gr. CF8M | TYPE | D |
| | | | INSPECTED BY | David | DATE | Jan. 30, 2008 | FILE | AD36-00003 |
| | | | DRAWN BY | Joanne | | | | |