



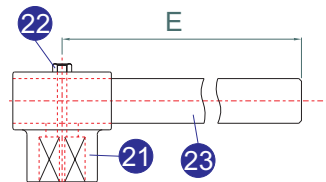
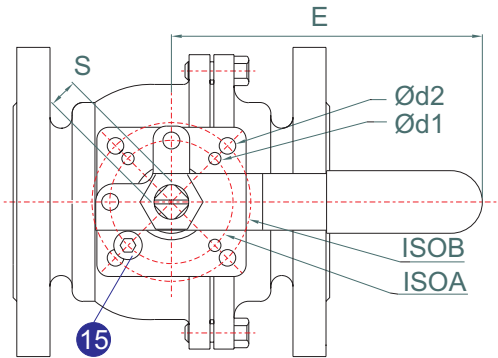
Ver. N, Model F-G1

Split Body ISO Direct Mount Flange Ball Valve
Full Port, ANSI Class 150

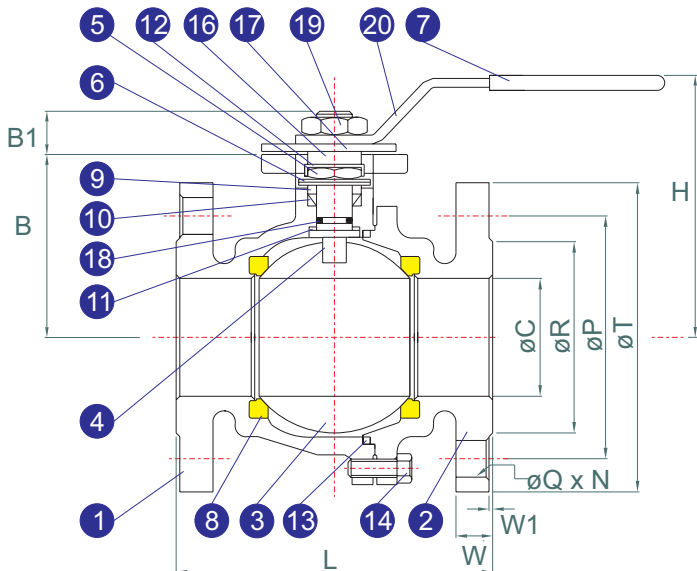
Body Thickness According to ANSI B16.34

Face-to-Face According to ANSI B16.10

Flange Dimension According to ANSI 16.5
½" (DN15) to 4" (DN100)



Handle Style for 2½" to 4"



MATERIALS LIST

NO.	PART NAME	MATERIAL (Stainless)	MATERIAL (Carbon)	Q'TY
1	Body	ASTM A351 Gr. CF8M	ASTM A216 Gr. WCB	1
2	Cap	ASTM A351 Gr. CF8M	ASTM A216 Gr. WCB	1
3	Ball	ASTM A351 Gr. CF8M	ASTM A351 Gr. CF8M	1
4	Stem	SUS316	SUS316	1
5	Stem Nut	SUS 304	SUS 304	1
6	Belleville Washer	SUS 301	SUS 301	2
7	Handle Sleeve	Vinyl	Vinyl	1
8	Seat	PTFE	PTFE	2
9	Gland	SUS 304	SUS 304	1
10	Stem Packing	PTFE	PTFE	1
11	Thrust Washer	†	†	1
12	Lock Saddle	SUS 304	SUS 304	1
13	Joint Gasket	PTFE	PTFE	1
14	Bolt	SUS 304	SUS 304	‡
15	Position Pin	SUS 304	SUS 304	1
16	Washer	SUS 304	SUS 304	1
17	Stop Plate	SUS 304	SUS 304	1
18	O-Ring	Viton	Viton	1
*19	Handle Nut	SUS 304	SUS 304	1
*20	Pressed Handle	SUS 304	SUS 304	1
**21	T - Boss	ASTM A351 Gr. CF8	ASTM A351 Gr. CF8	1
**22	Handle Bolt	SUS 304	SUS 304	1
**23	Round Handle	Steel Bar	Steel Bar	1

† 25% Carbon fiber filled PTFE

‡ ½" to 1½" 4 pcs; 2" 4 pcs; 3" 8pcs; 4" 10 pcs

* Parts for ½" to 2" only

** Parts for 2½" to 4" only



Ver. N, Model F-G1

Split Body ISO Direct Mount Flange Ball Valve

Full Port, ANSI Class 150

Body Thickness According to ANSI B16.34

Face-to-Face According to ANSI B16.10

Flange Dimension According to ANSI 16.5

½" (DN15) to 4" (DN100)

Torque Value with Non-Lubricated PTFE Seats

SIZE	Break-Away		Running	
	IN-LB	NM	IN-LB	NM
½"	53	6.0	48	5.4
¾"	80	9.0	69	7.8
1"	106	12.0	80	9.0
1¼"	127	14.4	96	10.8
1½"	228	25.8	159	18.0
2"	281	31.8	212	24.0
2½"	903	102.0	584	66.0
3"	1221	138.0	743	84.0
4"	2071	234.0	1593	180.0

Torque Value with Lubricated PTFE Seats

SIZE	Break-Away		Running	
	IN-LB	NM	IN-LB	NM
½"	48	5.4	42	4.8
¾"	58	6.6	53	6.0
1"	69	7.8	64	7.2
1¼"	96	10.8	74	8.4
1½"	149	16.8	106	12.0
2"	170	19.2	127	14.4
2½"	425	48.0	266	30.0
3"	504	57.0	372	42.0
4"	1009	114.0	531	60.0

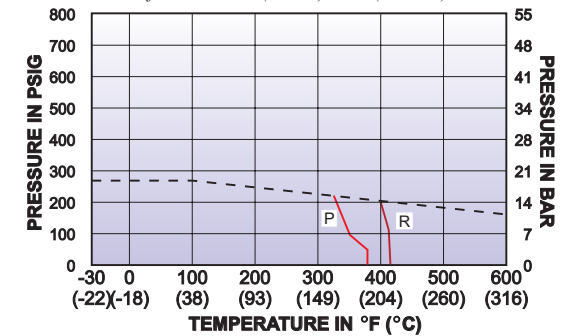
Note: Torque values based on dry run (no medium in the valve) @ atmospheric pressure and ambient temperature. Data listed is the maximum value taken from tested samples. 20% additional torque has been added to the torque value as safety margin. Torque value may vary due to flow media. The user is responsible for testing the actual torque prior to actuator installation. Our standard ball valve comes with lubricated PTFE seats unless otherwise noted.

DIMENSIONS (mm)

SIZE	øC	øP	øQ	øR	øT	ød1	ød2	B	B1	E	H	L	N	S	R	W	W1	ISOA	ISOA
½"	15	60.5	16	35	89	6	6	48	11	130	80	108	4	9	12	11.5	1.6	36-F03	42-F04
¾"	20	70.0	16	43	98	6	6	53	11	130	80	117	4	9	12	11.5	1.6	36-F03	42-F04
1"	25	79.5	16	51	108	6	7	59	14	165	90	127	4	11	14	11.5	1.6	42-F04	50-F05
1¼"	32	89.0	16	64	117	6	7	71	14	165	102	140	4	11	14	12.7	1.6	42-F04	50-F05
1½"	38	98.5	16	73	127	7	9.2	76	18	205	110	165	4	14	18	14.3	1.6	50-F05	70-F07
2"	50	121	19	92	152	7	9.2	85	18	205	120	178	4	14	18	15.9	1.6	50-F05	70-F07
2½"	65	140	19	105	178	9.2	11.4	94	23	300	140	190	4	17	22	17.8	1.6	70-F07	102-F10
3"	80	153	19	127	190	9.2	11.4	103	23	340	150	203	4	17	22	19.1	1.6	70-F07	102-F10
4"	100	191	19	157	229	11.4	13.5	132	25	420	180	229	8	22	28	24.0	1.6	102-F10	125-F12

Pressure Vs. Temperature Chart

for Valve ½" (DN15) ~ 4" (DN100)



LEGEND

--- Body Rating — P — PTFE Seat Rating — R — RPTFE Seat Rating