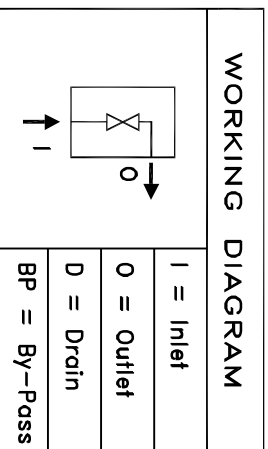
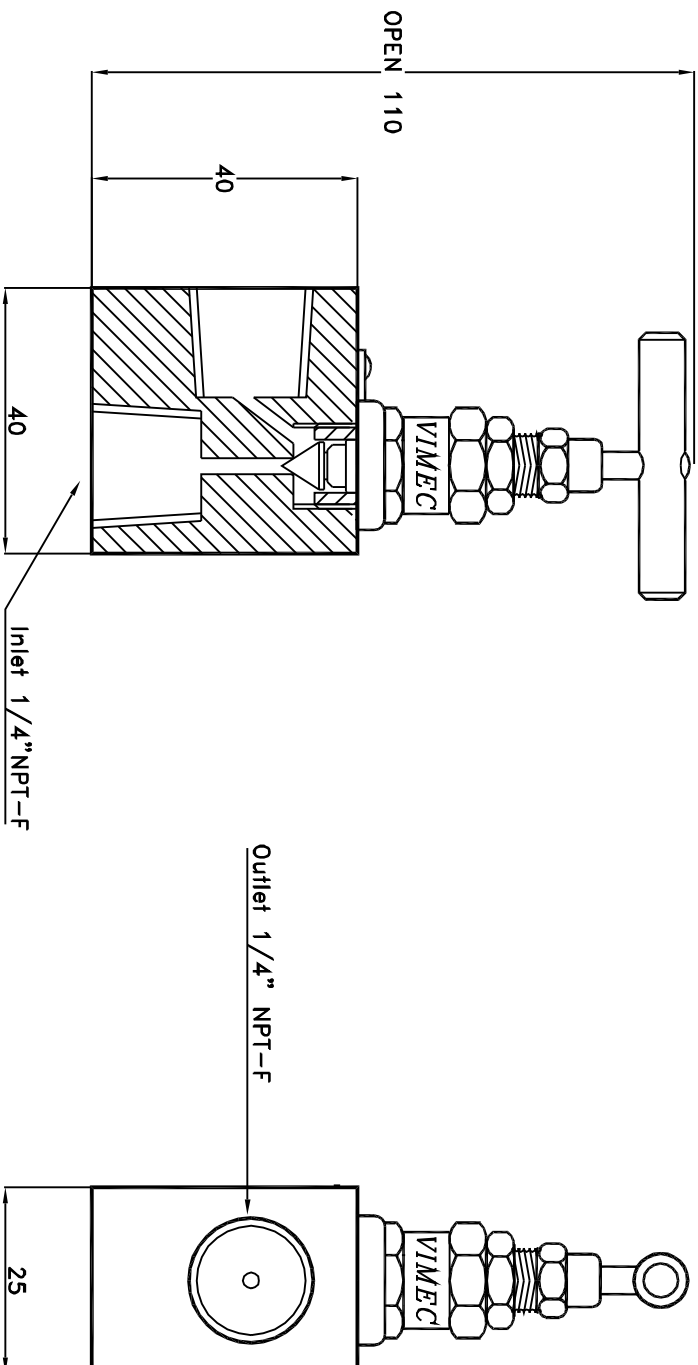


NEEDLE VALVE TYPE VMC-029



| | | |
|---|---------|----------|
| 1 | BODY | AISI 316 |
| 2 | BONNET | AISI 316 |
| 3 | PACKING | TEFLON |
| 4 | STEM | AISI 316 |
| 5 | NEEDLE | AISI 316 |

Working pressure: 420 Bar
Proof pressure: 630 Bar.

| | | |
|---|----------|-------------------------|
| 5 | | |
| 4 | | |
| 3 | | |
| 2 | | |
| 1 | 04/01/00 | REVISION (EX VMC-104/C) |
| 0 | 01/05/94 | FIRST ISSUE |

| | |
|---|--|
| <p>VIMEC VALVES - INSTRUMENTS - MANIFOLDS - CONSTRUCTION VIMEC S.r.l. - 20090 OPERA (Milano) ITALY Via Lombro, 62 - Telefono ++39 2.57602287</p> | |
| <p>Dev.ing Comr. Ernesto Pighelli Generale Tolernanza ± 0,1 Millesimi</p> | <p>Number VMC-029 Date 01/05/94 Scale 1 : 1 (A5) Figs.</p> |
| <p>NEEDLE VALVE. 1/4" NPT-F/F 90° RATING: 6000 Lb</p> | |
| <p>INTERNAL CODE: N° - 09.FN61.110</p> | |