



Flanged End Ball Valves

2020D

ANSI 150 2-PIECE FULL PORT

★ API 607 Fire Safe Approved

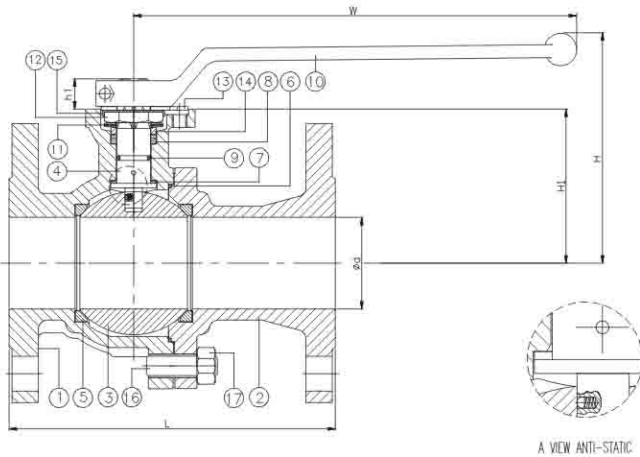
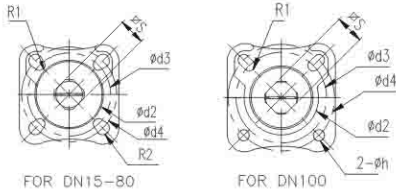


Special Alloy Option

- Titanium (Ti)
- Monel 400
- Hastelloy C
- Inconel 625
- SMO 254
- Duplex

FEATURES

- The flange ends refers to ANSI B16.34 & B16.5
- Face to Face : ANSI B16.10 Class 150
- Spring system on stem
- Anti-Static Device
- Investment casting
- Blow-out proof stem
- ISO 5211 & DIN 3337 Direct mounting pad
- Easy lock device
- PTFE Seat
- Graphite Packing
- Graphite Gasket
- Graphite Thrust washer

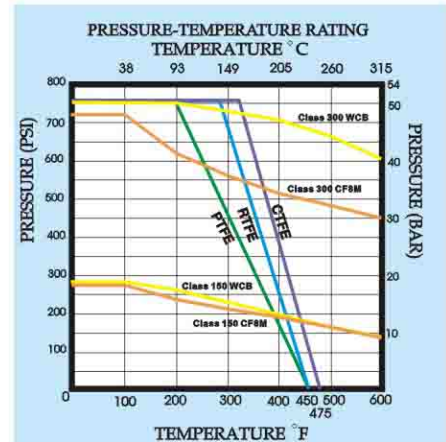


Applicable Standard	
Test and Inspection	API 598

ITEM	Parts \ Material	Stainless Steel	Carbon Steel
1	Body	ASTMA351-CF8M 1.4408	ASTMA216-WCB 1.0619
2	Cap		
3	Ball	ASTMA276-316	
4	Stem	PTFE / RTFE	
5	Ball Seat	PTFE / Graphite	
6	Gasket	Viton	
7	Thrust Washer	ASTM A351-CF8	
8	Packing	50CrV4	
9	O Ring	AISI 304	
10	Handle	50CrV4	
11	Disc Spring	AISI 304	
12	Stem Nut	AISI 304	
13	Lock Pad	AISI 304	
14	Gland Ring	AISI 304	
15	Lock Washer	AISI 304	
16	Bolt	AISI 304	
17	Nut	AISI 304	

DN	d	H	H1	W	L	ISO/DIN	S	h1	d2	d3	d4	h	R1	R2	Torque N·m		Weight (Kg)	
															Action	Breakaway		
15	15	75	51.5	190	108	F03/F04	9	8.5	31	36	42	-	2.75	2.75	3.5	5.5	1.48	
20	20	80	55												11.7	6.5	8	1.84
25	24	85	58												12.7	7.5	9.5	2.41
32	30	89	62	205	140	F04/F05	11	11	35.5	42	50	-	2.75	3.5	11	14	3.46	
40	38	103	78												16.5	16	30	5.31
50	50	111	84.5												17.8	30	16	7.86
65	64	122	104.5	220	191	F05/F07	14	15	56	60	70	-	3.5	4.5	35	65	13.7	
80	76	130	111.5												20.3	60	100	17
100	100	140	136												22.9	85	138	20.78

NPS	d	H	H1	W	L	ISO 5211	S	h1	d2	d3	d4	h	R1	R2	Torque in·lb		Weight (lb)	
															Action	Breakaway		
1/2"	0.50	2.95	2.03	7.48	4.25	F03/F04	0.35	0.33	1.22	1.42	1.65	-	0.11	0.11	31	49	3.26	
3/4"	0.75	3.15	2.17												4.61	58	71	4.06
1"	0.94	3.35	2.28												5	66	84	5.31
1-1/4"	1.18	3.5	2.44	8.07	5.51	F04/F05	0.43	0.43	1.4	1.85	1.97	-	0.11	0.14	97	124	7.82	
1-1/2"	1.5	4.06	2.99												6.5	142	266	11.71
2"	1.97	4.37	3.33												7.01	268	142	17.33
2-1/2"	2.52	4.8	4.11	8.86	7.52	F07/F10	0.67	0.73	2.99	2.76	4.02	-	0.18	0.22	310	575	30.2	
3"	2.99	5.12	4.39												7.99	531	885	37.48
4"	3.94	5.51	5.35												9.02	752	1221	45.81



HAITIMA VALVES



8F, No. 201 Tiding Boulevard Sec. 2 Taipei 114 Taiwan R.O.C.
 ☎ : +886-2-26585800 Fax : +886-2-26582266 / 27997766
 🌐 : www.haitima.com.tw ✉ : haitima@seed.net.tw