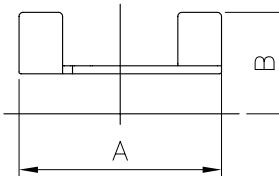
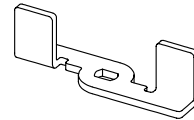
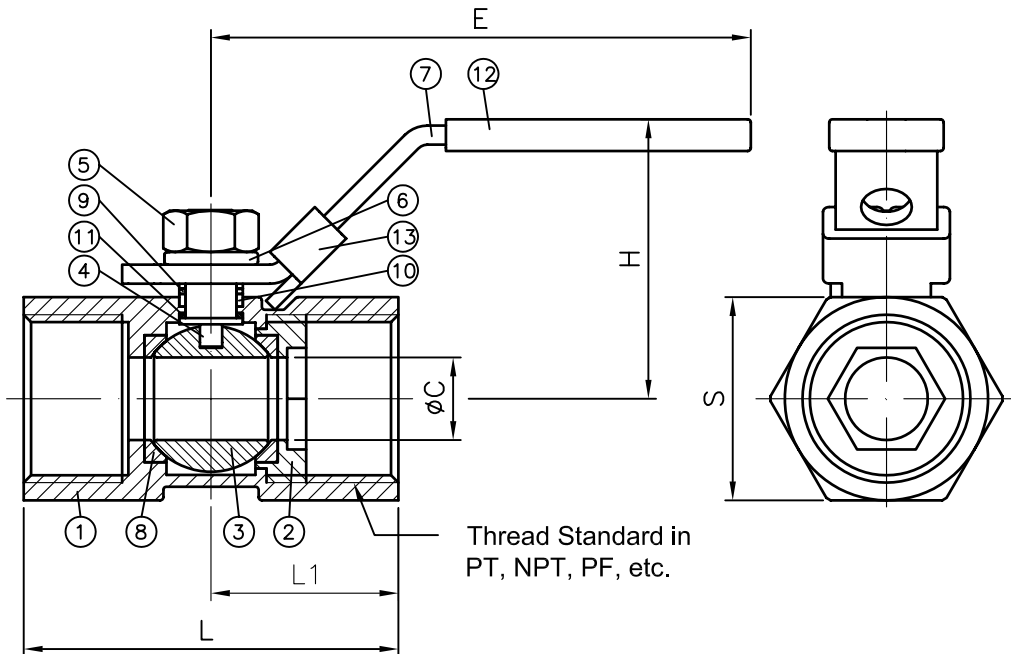
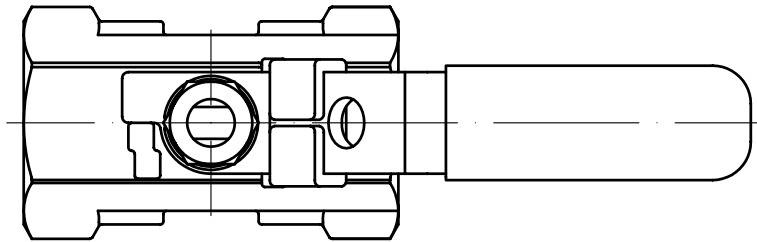


NO.	PART NAME	MATERIAL	Q'TY
1	BODY	ASTM A351 Gr.CF8M	1
2	INSERT	ASTM A351 Gr.CF8M	1
3	BALL	ASTM A351 Gr.CF8M	1
4	STEM	AISI 316	1
5	STEM NUT	AISI 304	1
6	SPRING WASHER	AISI 304	1
7	HANDLE	AISI 430	1
8	SEAT	PTFE	2
9	GLAND WASHER	AISI 304	2
10	GLAND PACKING	PTFE	1
11	THRUST WASHER	PTFE	1
12	HANDLE SLEEVE	VINYL	1
13	LOCKING DEVICE	AISI 430	1

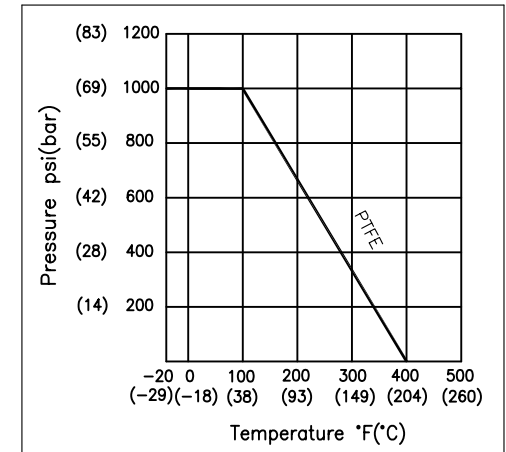
Optional Butterfly Handle  
(available from 1/2" to 1")



Ball Center Line



Thread Standard in  
PT, NPT, PF, etc.



SIZE	DN	φC	A	B	E	H	L	L1	S
1/2"	15	9	54	33	85	41	57	28	25
3/4"	20	13	56	35	85	44	59	30	32
1"	25	16	70	N/A	101	48	71	36	38
1-1/4"	32	20	N/A	N/A	101	54	78	40	49
1-1/2"	40	25	N/A	N/A	125	65	83	43	53
2"	50	32	N/A	N/A	125	72	100	51	65



**APEX CONTROLS CO., LTD.**

NO.15, JEN-YI ST., WU-JIH HSIANG TAICHUNG,  
TAIWAN, 414, R.O.C.

E-mail Address : sales@apexcontrols.com.tw

Website : www.apexcontrols.com.tw

TEL : +886-4-23388440 FAX : +886-4-23388441

NO.	REASONS FOR CHANGE	DATE	REVISION	00	Economical One-Piece Ball Valve			
			SCALE	Free	1000 psi, Reduced Port			
			UNIT	mm	SIZE	1/2"~2"	MODEL	1-10
			INSPECTED BY	David	MAT'L	ASTM A351 Gr. CF8M	TYPE	H
			DRAWN BY	Joanne	DATE	Jun. 19, 2008	FILE	AH110-00002