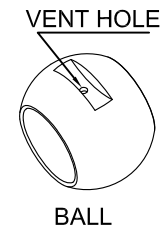
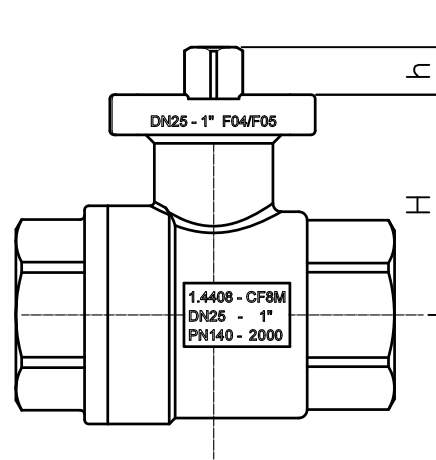
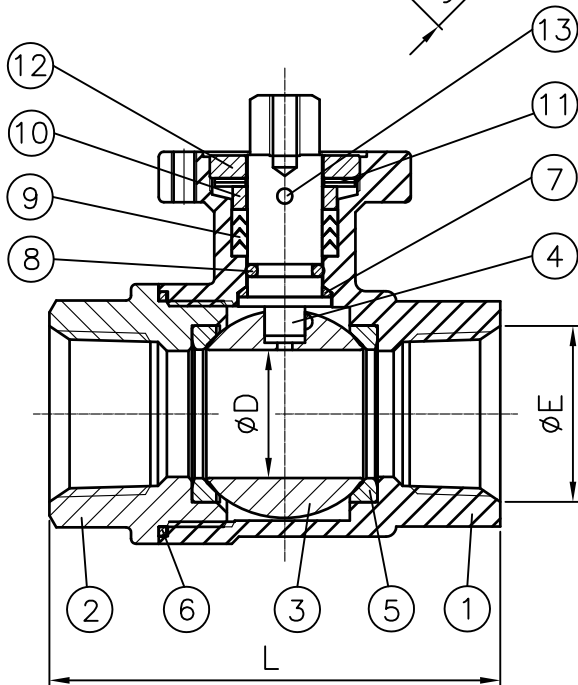


NO.	PART NAME	MATERIAL	Q'ty
1	BODY	CF8M / 1.4408	1
2	CAP	CF8M / 1.4408	1
3	BALL	CF8M	1
4	STEM	SS316	1
5	SEAT	PTFE	2
6	BODY GASKET	PTFE	1
7	STEM SEAL	PTFE	1
8	O-RING	VITON	1
9	STEM PACKING	PTFE	1
10	GLAND	SS304	1
11	BELLEVILLE WASHER	SS301	2
12	DISC PLATE	SS304	1
13	ANTI-STATIC DEVIC	SS316	2



1/4" ~ 1" : PN140 / 2000 PSI
 1 1/4" ~ 2" : PN100 / 1500 PSI
 2 1/2" ~ 3" : PN63 / 1000 PSI

SIZE	Ø D	L	H	h	S	Ø E	ISO-5211 (A)	ISO-5211 (B)	K	K1
1/4"	11.2	65	42	7	9	PT	F03-PCD Ø36	F04-PCD Ø42	21.9	21.9
3/8"	12.6	65	42	7	9		F03-PCD Ø36	F04-PCD Ø42	21.9	21.9
1/2"	15.0	75	42	7	9		F03-PCD Ø36	F04-PCD Ø42	26.2	26.2
3/4"	20.0	80	45	8	9	PF	F03-PCD Ø36	F04-PCD Ø42	32.5	32.5
1/4"	25.0	90	52	11	11		F04-PCD Ø42	F05-PCD Ø50	40.5	40.5
1-1/4"	32.0	110	57	11	11		F04-PCD Ø42	F05-PCD Ø50	49.5	49.5
1-1/2"	38.0	120	68	14	14	NPT	F05-PCD Ø50	F07-PCD Ø70	55.5	55.5
2"	50.0	140	77	14	14		F05-PCD Ø50	F07-PCD Ø70	69.6	69.6
2-1/2"	65.0	185	100	17	17		F07-PCD Ø70	F10-PCD Ø102	85.7	85.7
3"	80.0	205	111	17	17	F07-PCD Ø70	F10-PCD Ø102	104.5	101.8	



APEX CONTROLS CO., LTD.

NO.15, JEN-YI ST., WU-JIH HSIANG TAICHUNG, TAIWAN, 414, R.O.C.

E-mail Address : sales@apexcontrols.com.tw

Website : www.apexcontrols.com.tw

TEL : +886-4-23388440 FAX : +886-4-23388441

THIS DRAWING AND INFORMATION INCLUDED, ARE THE CONFIDENTIAL PROPERTY OF APEX CONTROLS CO., LTD. THIS DRAWING CAN NEITHER BE COPIED, EXHIBITED NOR FURNISHED TO OTHERS IN ANY FORM WITHOUT THE WRITTEN CONSENT OF APEX CONTROLS CO., LTD.

General tolerances	
Linear dimensions	Angular dimensions
0 up to 6 : ± 0.1	0 up to 10 : ± 1°
over 6 up to 30 : ± 0.2	over 10 up to 50 : ± 0°30'
over 30 up to 120 : ± 0.3	over 50 up to 120 : ± 0°20'
over 120 up to 400 : ± 0.5	over 120 up to 400 : ± 0°10'
over 400 up to 1000 : ± 0.8	over 400 : ± 0°5'
over 1000 up to 2000 : ± 1.2	Broken edges
over 2000 up to 4000 : ± 2.0	0 up to 3 : ± 0.2, 3 up to 6 : ± 0.5
	over 6 : ± 1.0

REVISION	00	Two-Piece High Cycle Ball Valve			
SCALE	Free	SIZE	1/4"~3"	MODEL	2-6T
UNIT	mm	MAT'L	CF8M / 1.4408	TYPE	D
INSPECTED BY	David	DATE	Sep. 17, 2014	FILE	AD26T-66Pxx-01
DRAWN BY	Joanne				