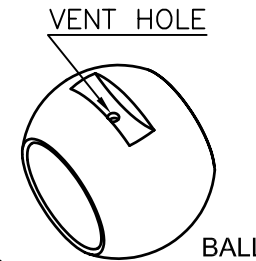
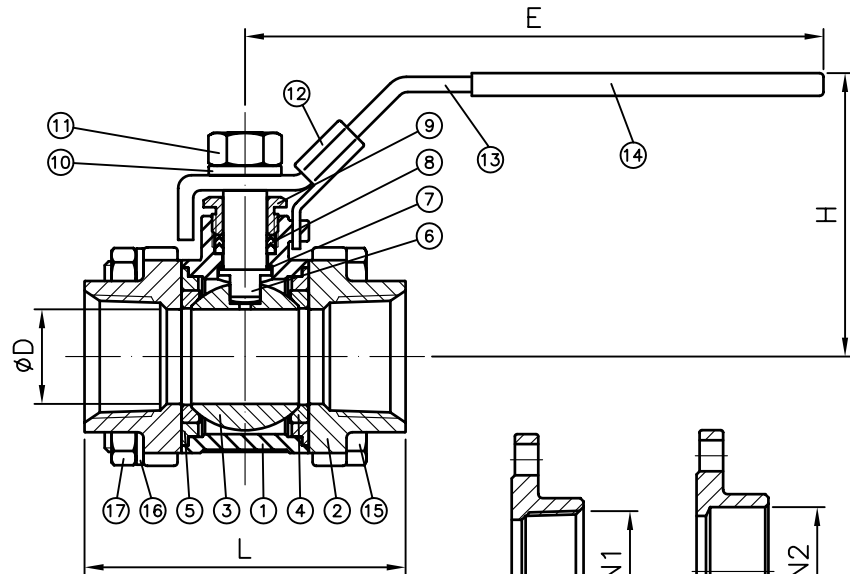
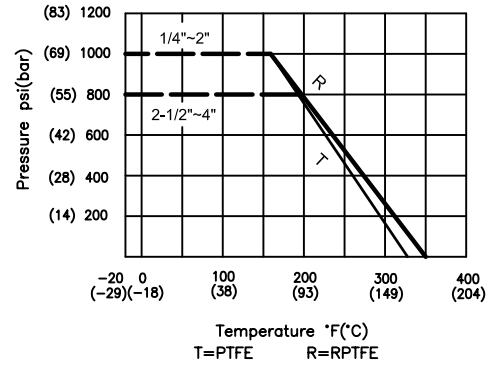
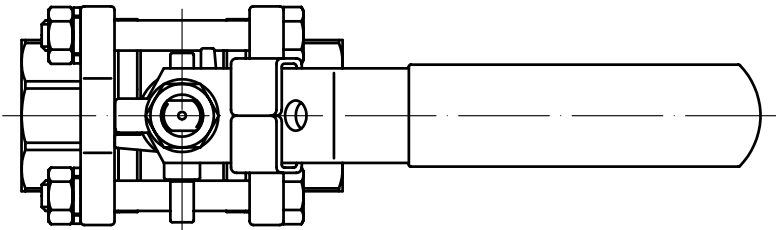
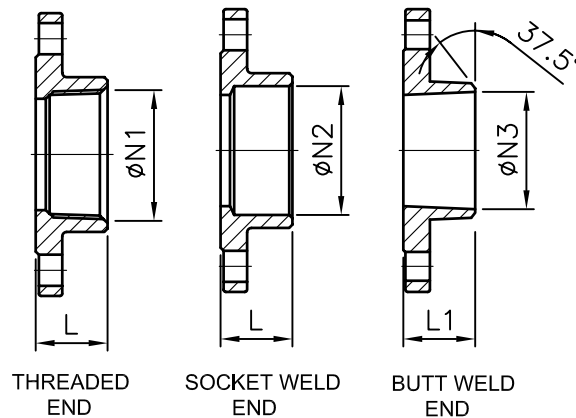


NO.	REASONS FOR CHANGE	DATE



NO.	PART NAME	MATERIAL	Q'TY
1	BODY	CF8M/1.4408	1
2	CAP	CF8M/1.4408	2
3	BALL	CF8M	1
4	SEAT	PTFE	2
5	GASKET	PTFE	2
6	STEM	SS316	1
7	STEM SEAL	PTFE	1
8	STEM PACKING	PTFE	1
9	GLAND NUT	SS304	1
10	HANDLE WASHER	SS304	1
11	HANDLE NUT	SS304	1
12	LOCKING DEVICE	SS304	1
13	HANDLE	SS304	1
14	HANDLE SLEEVE	VINYL	1
15	BOLT	SS304	1/4"~3" : 4 4" : 6
16	WASHER	SS304	1/4"~2" : 4 2-1/2"~3" : 8
17	NUT	SS304	4" : 12

1/4"~2" : PN64 / 1000 PSI
 2-1/2"~4" : PN40 / 800 PSI



SIZE	ØD±0.2	L±1.0	L1±1.0	E±2.0	H±2.0	ØN1	ØN2±0.2	ØN3±0.2
1/4"	11.2	60	60	105	52	NPT	14.3	9.4
3/8"	12.5	60	60	105	52		17.7	12.6
1/2"	15.0	75	75	105	57		22.0	16.1
3/4"	20.0	77	77	130	65		27.5	21.4
1"	25.0	85	85	158	76	PT	34.3	27.2
1-1/4"	32.0	104	104	158	81		43.0	35.5
1-1/2"	38.0	120	120	190	93		49.0	41.2
2"	50.0	130	130	190	100	PF	61.4	52.7
2-1/2"	65.0	163	163	262	140		ANSI 74.2 DIN 77.2	65.3
3"	76.0	182	186	262	150		90.0	78.1
4"	100.0	228	230	280	187		115.4	102.3



APEX CONTROLS CO., LTD.

NO.15, JEN-YI ST., WU-JIH HSIANG TAICHUNG, TAIWAN, 414, R.O.C.

E-mail Address : sales@apexcontrols.com.tw

Website : www.apexcontrols.com.tw

TEL : +886-4-23388440 FAX : +886-4-23388441

THIS DRAWING AND INFORMATION INCLUDED, ARE THE CONFIDENTIAL PROPERTY OF APEX CONTROLS CO., LTD. THIS DRAWING CAN NEITHER BE COPIED, EXHIBITED NOR FURNISHED TO OTHERS IN ANY FORM WITHOUT THE WRITTEN CONSENT OF APEX CONTROLS CO., LTD.

General tolerances	
Linear dimensions	Angular dimensions
0 up to 6 : ±0.1	0 up to 10 : ±1°
over 6 up to 30 : ±0.2	over 10 up to 50 : ±0°30'
over 30 up to 120 : ±0.3	over 50 up to 120 : ±0°20'
over 120 up to 400 : ±0.5	over 120 up to 400 : ±0°10'
over 400 up to 1000 : ±0.8	over 400 : ±0°5'
over 1000 up to 2000 : ±1.2	Broken edges
over 2000 up to 4000 : ±2.0	0 up to 3 : ±0.2, 3 up to 6 : ±0.5
	over 6 : ±1.0

REVISION	00	Three-Piece Economical Ball Valve			
SCALE	Free	SIZE	1/4"~4"	MODEL	3-1
UNIT	mm	MAT'L	CF8M / 1.4408	TYPE	D
INSPECTED BY	David	DATE	Aug. 17, 2009	FILE	AD31-00001
DRAWN BY	Joanne				