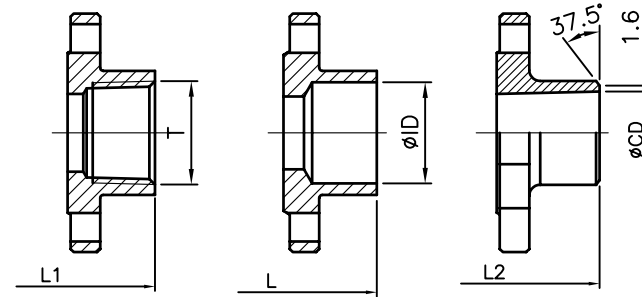
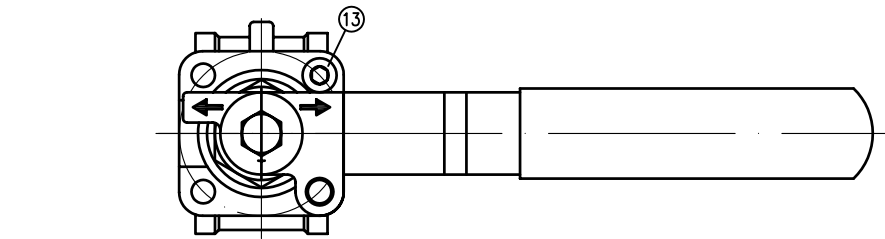
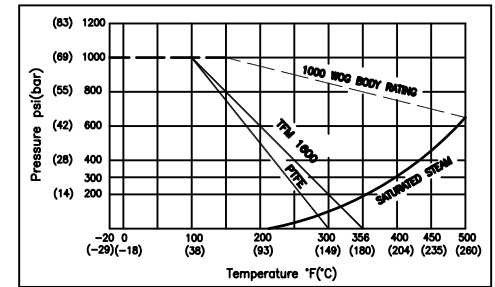
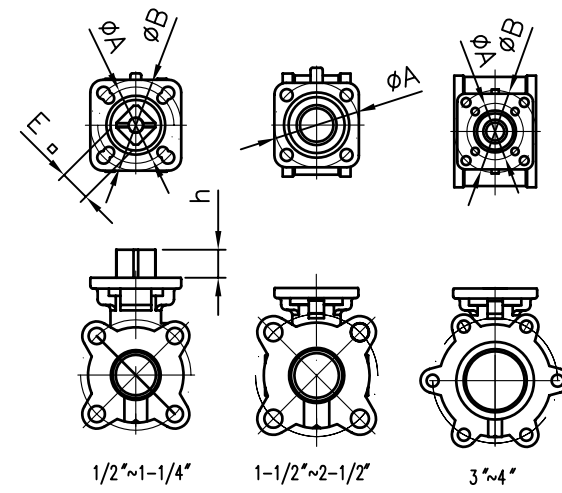
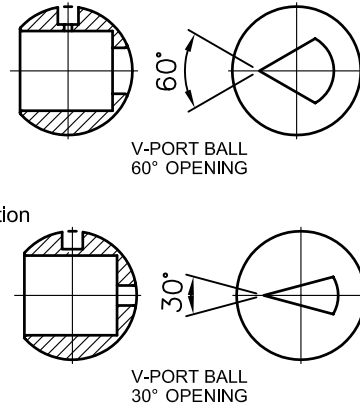
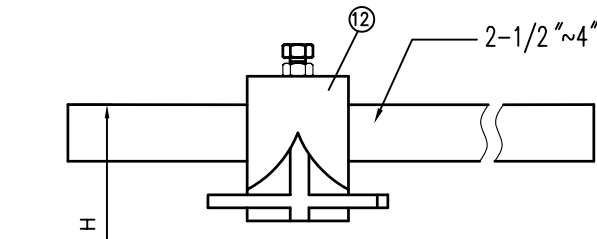
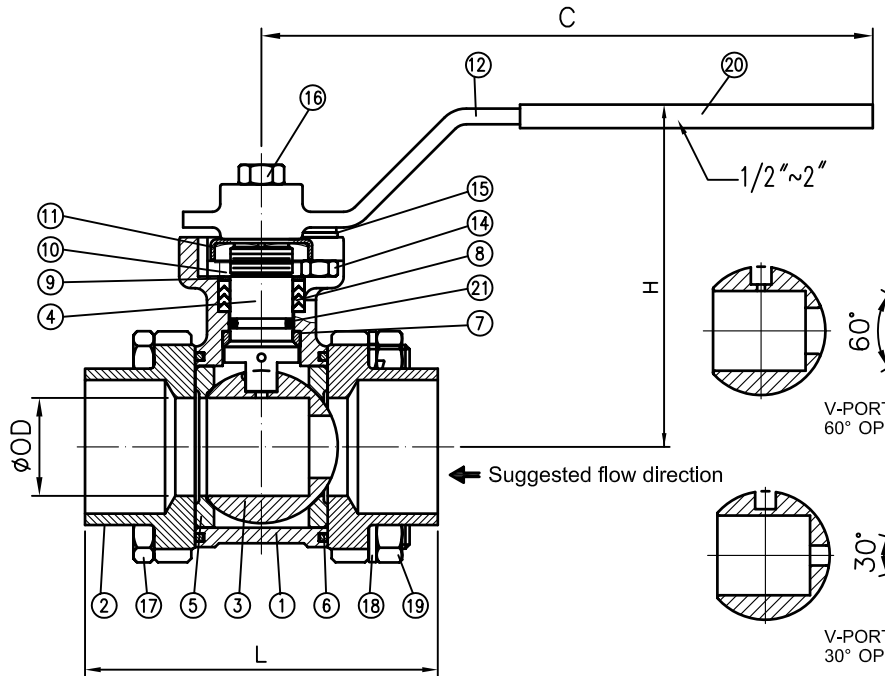


No.	Part Name	Material	Q'ty
1	Body	ASTM A351 Gr. CF8M	1
2	Cap	ASTM A351 Gr. CF3M/CF8M	2
3	Ball	CF8M	1
4	Anti-Static Stem	SS316	1
5	Seat	TFM1600	2
6	Gasket	PTFE.TEFLON	2
7	Stem Seal	PTFE.TEFLON	1
8	Stem Packing	PTFE.TEFLON	1
9	Thrust Washer	50%SS.50%PTFE	1
10	Stem Nut	SS304	1
11	Lock Saddle	SS304	1
12	Handle	SS304	1
13	Stop Bolt	SS304	1
14	Stop Nut	SS304	1
15	Stop Washer	SS304	1
16	Handle Bolt	SS304	1
17	Body Bolt	SS304	4
18	Bolt Washer	SS304	4
19	Bolt Nut	SS304	4
20	Handle Sleeve	VINYL	1
21	O-Ring	VITON	1



THREADED END SOCKET WELD END BUTT WELD END



SIZE	øOD	øID	øCD	T	L	L1	L2	C	□E	øA	øB	h	H
1/2'	15	22	15.8	NPT	75	75	75	126	9	F03	F04	8	75
3/4'	20	27.4	20.9		80	80	90	126	9	F03	F04	8	78
1'	25	34.1	26.6	PT	90	90	100	156	11	F04		10	87
1-1/4'	31	42.9	35		110	110	110	156	11	F04		10	93
1-1/2'	38	49	40.8	PF	120	120	125	181	14	F05		13	114
2'	48	61.5	52.5		140	140	150	181	14	F05	F07	13	122
2-1/2'	63.5	77.2	65.9	2999	185	185	190	300	17	F07		16	139
3'	76	90	77.9		205	205	220	300	17	F07	F10	16	149
4'	97	115.4	102.3		240	240	270	500	22	F07	F10	21	178



APEX CONTROLS CO., LTD.

NO.15, JEN-YI ST., WU-JIH HSIANG TAICHUNG, TAIWAN, 414, R.O.C.

E-mail Address : sales@apexcontrols.com.tw

Website : www.apexcontrols.com.tw

TEL : +886-4-23388440 FAX : +886-4-23388441

REVISION	00	Three-Piece High Cycle Direct Mount Ball Valve	
SCALE	FREE	V-Port Ball	
UNIT	mm	SIZE	1/2"~4"
INSPECTED BY	David	MAT'L	ASTM A351 Gr. CF8M
DRAWN BY	Joanne	TYPE	G
NO.	REASONS FOR CHANGE	DATE	FILE
			AG38-00004