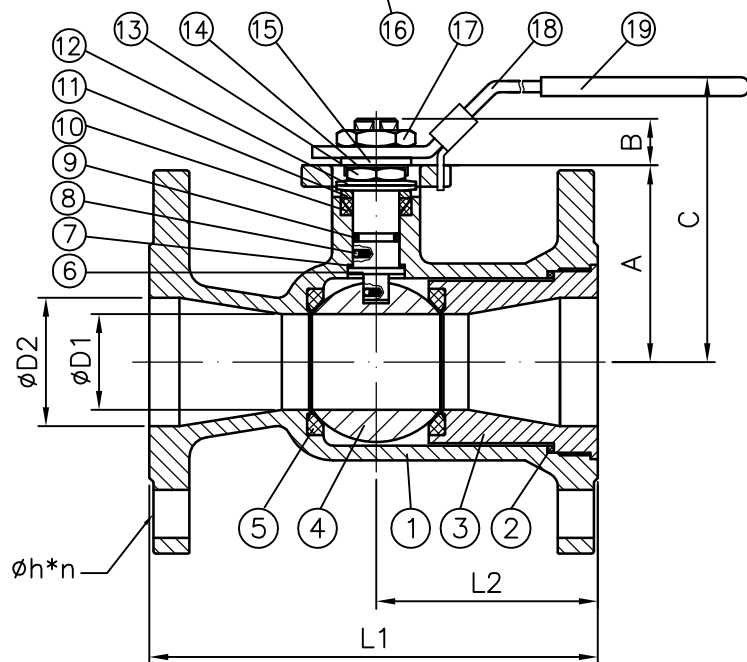


- * FACE TO FACE: ASME B16.10
- * FLANGE CONNECTION :ASME/ANSI B16.50
- * WORKING PRESSUE :CLASS 150
- * TEMPERATURE RANGE : -29 ~ 450°F
- * AVAILABLE IN STAINLESS STEEL OR CARBON STEEL
- * BODY & INSERT CAP ARE INVESTMENT CAST
- * SELF ADJUSTING STEM PACKING
- * BLOW-OUT PROOF STEM DESIGN
- * ISO 5211 DIRECT MOUNTING PAD
- * PRESSURE TESTED TO API 598
- * 100% AIR TESTED UNDER WATER AT 80PSI



NO.	PART NAME	MATERIAL	
1	BODY	ASTM A351 Gr. CF8M	ASTM A216 Gr. WCB
2	GASKET	PTFE	PTFE
3	INSERT CAP	ASTM A351 Gr. CF8M	ASTM A216 Gr. WCB
4	BALL	SS316	SS316
5	SEAT	PTFE	PTFE
6	STEM	SS316	SS316
7	THRUST WASHER	RPTFE	RPTFE
8	ANTISTATIC DEVICE	SS316	SS316
9	O-RING	VITON	VITON
10	STEM PACKING	PTFE	PTFE
11	GLAND	SS304	SS304
12	BELLEVILLE WASHER	SS301	SS301
13	STEM NUT	SS304	SS304
14	LOCK SADDLE	SS304	SS304
15	WASHER	SS304	SS304
16	STOP PIN	SS304	SS304
17	HANDLE NUT	SS304	SS304
18	HANDLE	SS304	SS304
19	HANDLE SLEEVE	VINYL	VINYL
20	HANDLE BOLT	SS304	SS304
21	LEVER HEAD	CF8	CF8
22	LEVER	STEEL PIPE	STEEL PIPE

SIZE	A	B	C	D1	D2	D3	d1	E	H	L1	L2	D	C	h	n	t	g	f
1/2"	48	11	80	12.5	15	F3/F4	6/6	130	9	108	48	89	60.5	16	4	11.5	35	1.6
3/4"	53	11	80	15	20	F3/F4	6/6	130	9	117	50	98	70	16	4	11.5	43	1.6
1"	55	11	82	20	25.4	F3/F4	6/6	130	9	127	55	108	79.5	16	4	11.5	51	1.6
1-1/2"	65	14	95	31.8	38.1	F5	7	165	11	165	60	127	98.5	16	4	14.3	73	1.6
2"	78	18	120	38.1	50.8	F5	7	205	14	178	75	152	120.5	19	4	15.9	92	1.6
3"	98	23	155	58	76.2	F7	9.2	340	17	203	85	190	152.5	19	4	19.1	127	1.6
4"	118	23	185	76	101.6	F7	9.2	340	17	229	95	229	190.5	19	8	24.0	157	1.6



APEX CONTROLS CO., LTD.

NO.15, JEN-YI ST., WU-JIH HSIANG TAICHUNG, TAIWAN, 414, R.O.C.

E-mail Address : sales@apexcontrols.com.tw

Website : www.apexcontrols.com.tw

TEL : +886-4-23388440 FAX : +886-4-23388441

THIS DRAWING AND INFORMATION INCLUDED, ARE THE CONFIDENTIAL PROPERTY OF APEX CONTROLS CO., LTD. THIS DRAWING CAN NEITHER BE COPIED, EXHIBITED NOR FURNISHED TO OTHERS IN ANY FORM WITHOUT THE WRITTEN CONSENT OF APEX CONTROLS CO., LTD.

General tolerances	
Linear dimensions	Angular dimensions
0 up to 6 : ±0.1	0 up to 10 : ±1°
over 6 up to 30 : ±0.2	over 10 up to 50 : ±0°30'
over 30 up to 120 : ±0.3	over 50 up to 120 : ±0°20'
over 120 up to 400 : ±0.5	over 120 up to 400 : ±0°10'
over 400 up to 1000 : ±0.8	over 400 : ±0°5'
over 1000 up to 2000 : ±1.2	Broken edges
over 2000 up to 4000 : ±2.0	0 up to 3 : ±0.2, 3 up to 6 : ±0.5
	over 6 : ±1.0

REVISION	00	One-Piece Flange Ball Valve			
SCALE	Free	Reduced Port , ASME 150 lbs			
UNIT	mm	SIZE	1/2"~4"	MODEL	F-F1
INSPECTED BY	David	MAT'L	CF8M / WCB	TYPE	N
DRAWN BY	Joanne	DATE	Mar. 22, 2010	FILE	ANFF1-00002