

Thermodynamic Steam Trap

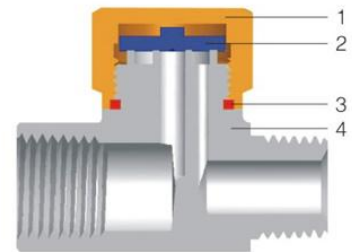
DN8 Advantages

1. Small and compact structure, more efficient.
 2. Economic performance, energy saving by 40%.
 3. High durability, easy to maintain.
- Application: Drip legs, steam tracing, laundry equipment.



DN8 Section

| NO | Name | Material |
|----|--------|---------------------------|
| 1 | Cover | Stainless steel 304 (CF8) |
| 2 | Disk | Stainless steel 420 |
| 3 | O-ring | Silicon rubber |
| 4 | Body | Stainless steel 304 (CF8) |



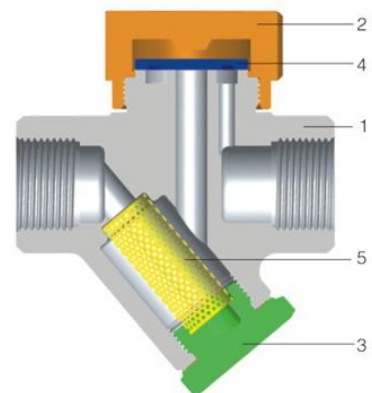
DN15/20/25 Advantages

1. Compact structure.
2. High durability due to the body and inner parts are stainless steel.
3. Spare parts are available and easy to maintain.
4. Application: Steam pipelines, iron machines, drying units, pressing units.



DN15/20/25 DN15/20/25 section

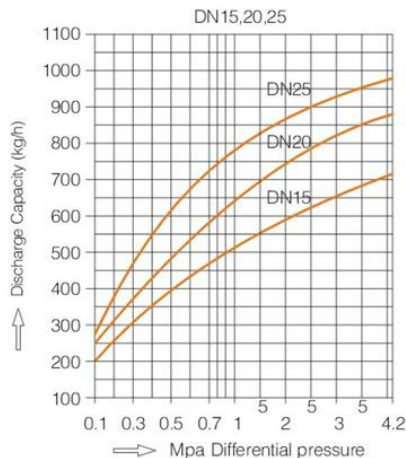
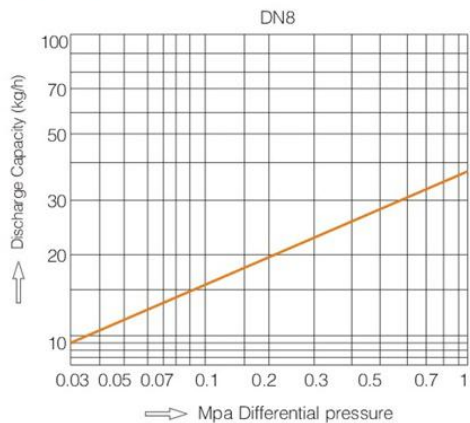
| NO | Name | Material |
|----|-----------------|--------------------------|
| 1 | Body | ASTM CA40 |
| 2 | Cover | Stainless steel 304(CF8) |
| 3 | Discharge Bolt | Stainless steel 304(CF8) |
| 4 | Disk | Stainless steel 420 |
| 5 | Strainer Screen | Stainless steel 304 |



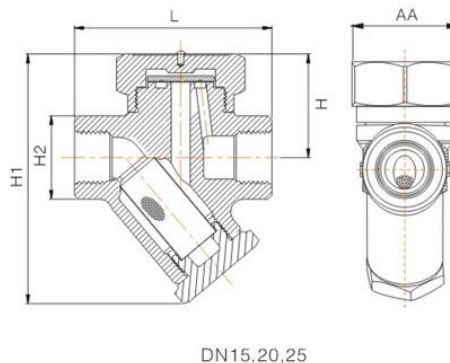
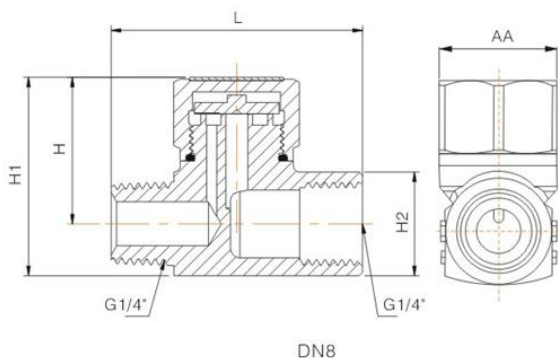
Thermodynamic Steam Trap



Discharge Capacity

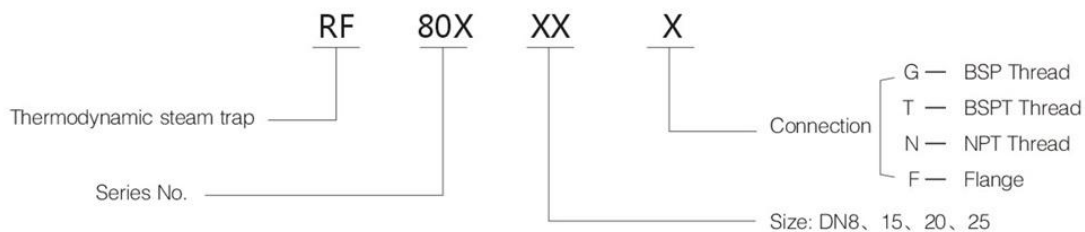


Main Dimension



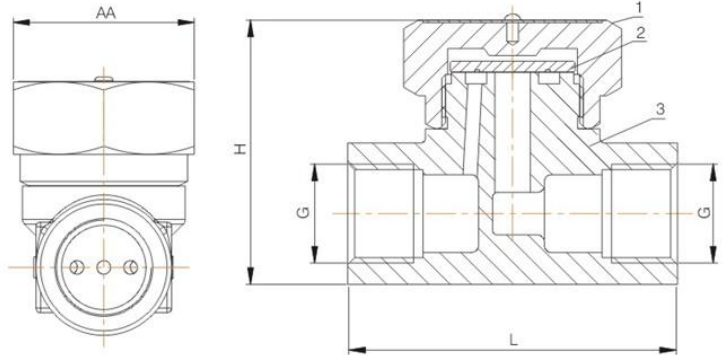
| Size | Thread end | Dimension(mm) | | | | | Operating Pressure (Mpa) | Max. Operating Temp (°C) | Weight (Kg) |
|------|------------|---------------|------|-------|------|----|--------------------------|--------------------------|-------------|
| | | L | H | H1 | H2 | AA | | | |
| DN8 | 1/4" | 40 | 23 | 31 | 16.5 | 18 | 0.03-1.0 | 200 | 0.07 |
| DN15 | 1/2" | 78 | 40 | 99.6 | 33 | 44 | 0.15-4.2 | 400 | 0.9 |
| DN20 | 3/4" | 90 | 49.2 | 109.2 | 39 | 48 | | | 1.2 |
| DN25 | 1" | 95 | 57.5 | 121.6 | 45 | 56 | | | 1.7 |

Order Instruction

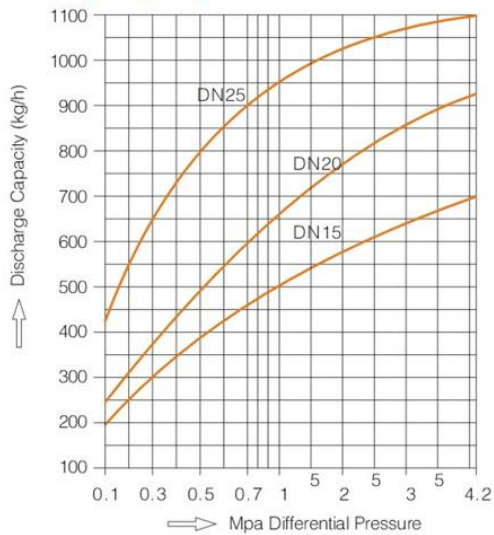


Example: RF 800 25 G
 Means: Steam Trap, Series 800, DN25, BSP thread.

Thermodynamic Steam Trap



Discharge Capacity



Part List

| NO | Name | Material |
|----|-------|--------------------------|
| 1 | Cover | Stainless Steel 304(CF8) |
| 2 | Disk | Stainless Steel 420 |
| 3 | Body | ASTM CA40 |

Advantages

1. Compact structure.
 2. High durability due to the body and inner parts are stainless steel.
 3. Spare parts are available and easy to maintain.
- Application: Steam pipelines, iron machines, drying units, pressing units.

Main Dimension

| Size | G | L | H | AA | Operating Pressure (Mpa) | Max. Operating Temp (°C) | Weight (Kg) |
|------|------|----|----|----|--------------------------|--------------------------|-------------|
| DN15 | 1/2" | 41 | 70 | 40 | 0.25-4.2 | 400 | 0.5 |
| DN20 | 3/4" | 43 | 80 | 44 | | | 0.8 |
| DN25 | 1" | 52 | 89 | 55 | | | 1.25 |