

Handwheel Gearbox Operator

20-series Aluminum Handwheel Gearbox Operator

Introduction and Features

Our 20-series Aluminum valve handwheel gearbox, 90 quarter turn drive device is suitable for butterfly valve, ball valve and plug valve and so on. The aluminum alloy material body after static electricity powder coating has an excellent appearance, strong adhesion/mechanical property and anti-corrosion/wear resistance.

- ISO5211 direct mount patterns.
- Filled with special lubricant before leaving the factory.
- Weather proof is IP67.
- The output torque range:180-5500NM.
- 0-90° rotary; ±5° angle adjusting.



Ordering code

Series Model Valve square Flange Handwheel(∅)

e.g: 20 - 070 - 11 - F05/F07 - 140

Detailed please reference selection.

Reference Selection

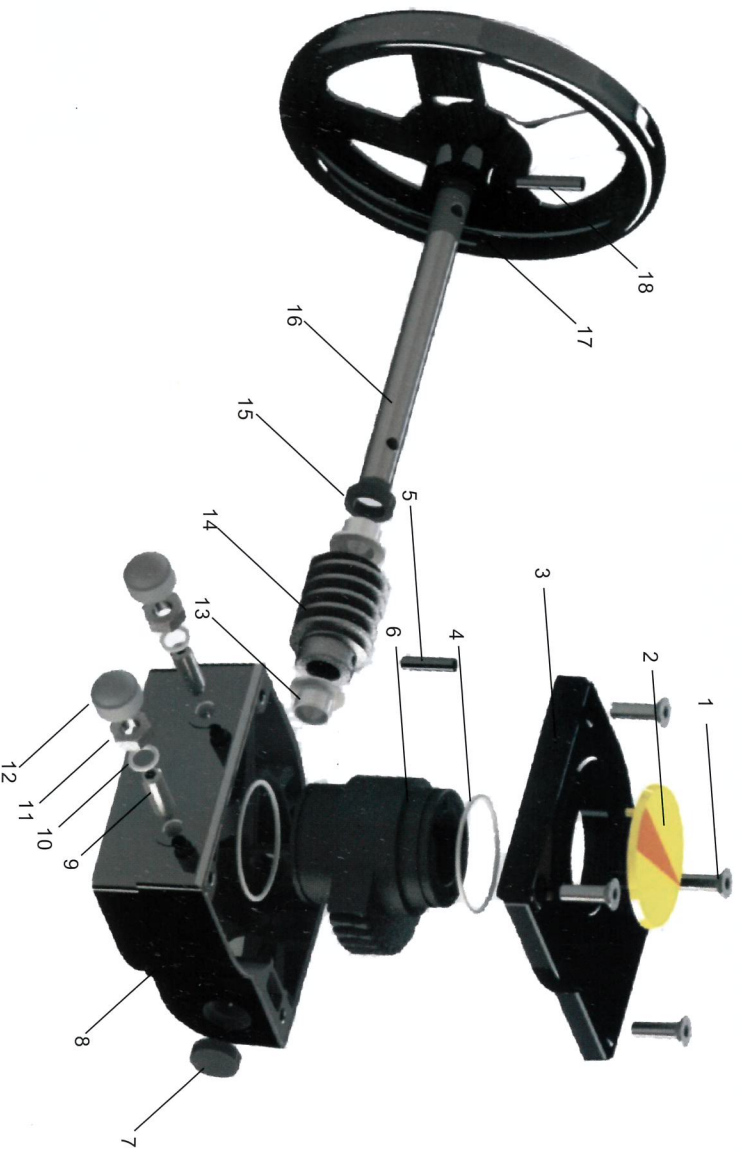
Model	Square	ISO5211 Flange Type *	Hand wheel ∅	Output/Input Torque Ratio	Max. Output Torque(Nm)	Butterfly Valve	Ball valve	Wt(KG)
20070	8/9/1/1/14/17	F05,F07	140	1:9.6	180	32-150	50	1.2
20090	8/9/1/1/14/17	F07,F09	200	1:1.2	300	32-200	63	2.1
20102	17/19/22	F07,F10	250	1:1.2.5	540	200-300	80	3.5
20125	17/19/22	F10,F12	300	1:1.2.5	675	250-350	100	4.8
20140	22/27	F10,F12,F14	400	1:1.0	1310	350-400	150	8.5
20140A	22/27	F10,F12,F14	400	1:1.0	1500	350-400	150	9.5
20140B	22/27/∅50x14	F10,F12,F14	600	1:1.1	1790	400-450	200	11
20165	36/∅50x14	F16	600	1:1.19	3250	450-500	250	17.5
20254	∅60x18/∅65x20/∅80x22	F16,F25	700	1:1.19	5500	600-650	300	28
PS070	8/9/1/1/14	F05,F07	140	1:9.6	150	32-150	50	1

*

*PS Series Cover and Body is Engineer Plastics

*ISO 5211 Flange single option but not both:F12 or F14,F14 or F16

Material and part list



NO.	Item	QTY	Material
1	Bolt	4	Stainless steel
2	Indicator	1	ABS resin
3	Cover	1	Aluminium polyester coating(20 Series)
4	O-Ring	2	Engineering Plastics(PS Series)
5	Pin	1	NBR70
6	Worm gear	1	Spring Steel black
7	Rearseal	1	Ductile iron
8	Body	1	NBR70
9	Adjusting Bolt	2	Aluminium polyester coating(20 Series)
10	Adjusting Bolt Gasket	2	Engineering Plastics(PS Series)
11	Adjusting Nut	2	Steel black(Optional)
12	Adjusting Nut Cap	2	SS304(Optional)
13	Bearing	2	Galvanized steel(Optional)
14	Worm	1	SS304(Optional)
15	Front seal	1	Galvanized steel(Optional)
16	Rotating shaft	1	SS304(Optional)
17	Handwheel	1	NBR70
18	Pin Bush	1	Power metallurgy Carbon Steel 45# Carbon Steel 45#(Option) Carbon Steel 45# Spring Steel black Carbon Steel 45#