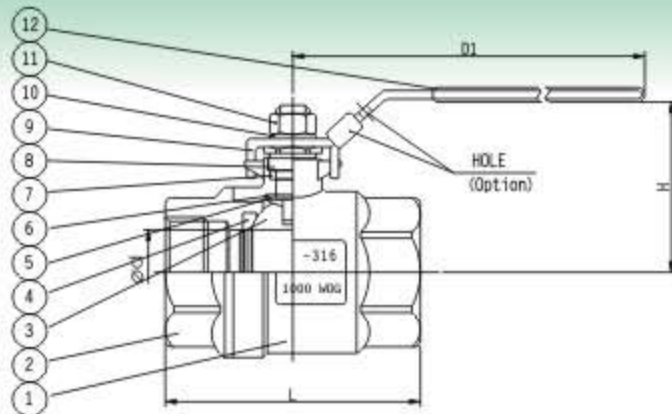


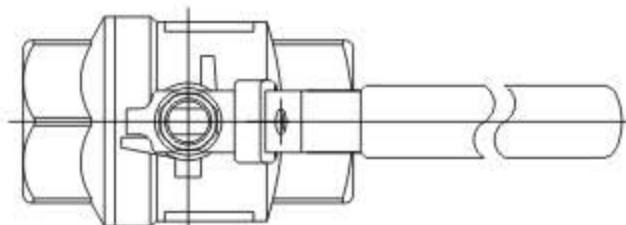
2PC STAINLESS STEEL 316 BALL VALVE



V-2B 1000WOG



NO	PART NAME	MATERIAL	QTY
1	BODY	ASTM A351 Gr.CF8M	1
2	CAP	ASTM A351 Gr.CF8M	1
3	BALL	ASTM A351 Gr.CF8M	1
4	STEM	ASTM A276 Gr.316	1
5	SEAT	PTFE	2
6	GASKET	PTFE	1
7	PACKING	PTFE	1
8	GLAND	S.S.304	1
9	HANDLE	S.S.304	1
10	SPRING WASHER	S.S.304	1
11	HANDLE NUT	S.S.304	1
12	HANDLE SLEEVE	VINYL GRIP	1



DIMENSIONS

SIZE	ød	L	H	D1
1 / 4"	11.0	58.0	57.20	105
3 / 8"	12.5	58.0	57.20	105
1 / 2"	15.0	60.0	59.10	105
3 / 4"	20.0	70.0	62.55	105
1"	25.0	82.0	70.70	128
1 1/4"	32.0	96.0	76.20	128
1 1/2"	38.0	112.0	89.10	154
2"	50.0	126.0	98.15	154
2 1/2"	65.0	155.0	110.6	194
3"	80.0	170.0	124.0	276