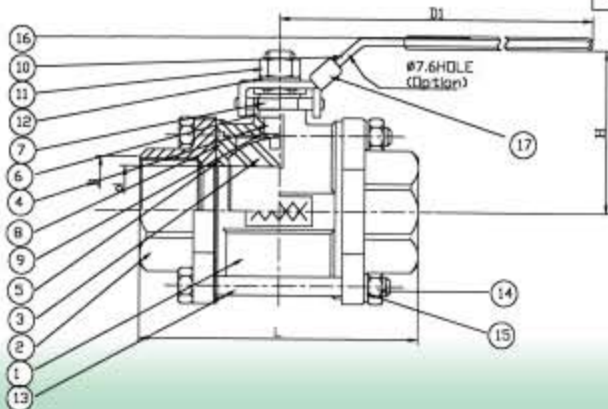
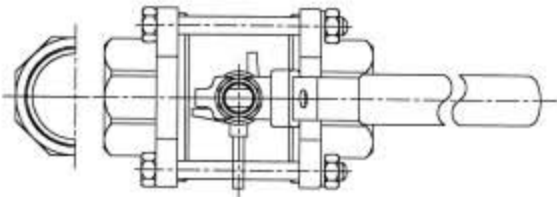


3PC STAINLESS STEEL 316 BALL VALVE



V-3A 1000WOG



NO	PARTS NAME	MATERIAL		QTY
		STAINLESS STEEL	CARBON STEEL	
1	BODY	ASTM A351 Gr.CF8M	ASTM A216 WCB	1
2	CAP	ASTM A351 Gr.CF8M	ASTM A216 WCB	2
3	BALL	ASTM A351 Gr.CF8M	ASTM A351 Gr.CF8M	1
4	STEM	ASTM A276 Gr.316	ASTM A276 Gr.316	1
5	SEAT	PTFE	PTFE	2
6	PACKING	PTFE	PTFE	1
7	GLAND	S.S.304	S.S.304	1
8	END SEALS	PTFE	PTFE	2
9	THRUST WASHER	PTFE	PTFE	1
10	HANDLE	S.S.304	S.S.304	1
11	HANDLE SLEEVE	S.S.304	S.S.304	1
12	SPRING WASHER	S.S.304	S.S.304	1
13	BOLTS	ASTM A193 Gr.B8	ASTM A193 Gr.B8	1
14	BOLT NUTS	ASTM A194 Gr.B	ASTM A194 Gr.B	4
15	BOLT WASHER	S.S.304	S.S.304	4
16	HANDLE SLEEVE	VINYL GRIP	VINYL GRIP	4
17	LOCKING PLATE	S.S.304	S.S.304	1

SIZE	ød	L	H	D1	B
1 / 4"	11	60.5	57.20	105	1 / 4" PTorNPTorPF
3 / 8"	12.5	60.5	57.20	105	3 / 8" PTorNPTorPF
1 / 2"	15.0	65.5	59.10	105	1 / 2" PTorNPTorPF
3 / 4"	20.0	77.6	62.55	105	3 / 4" PTorNPTorPF
1"	25.0	83.5	70.70	128	1" PTorNPTorPF
1 1/4"	32.0	102.5	76.20	128	1 1/4" PTorNPTorPF
1 1/2"	38.0	117.6	89.10	154	1 1/2" PTorNPTorPF
2"	50.0	130.2	98.15	194	2" PTorNPTorPF
2 1/2"	65.0	158.6	110.6	194	2 1/2" PTorNPTorPF
3"	80.0	177.8	124.0	276	3" PTorNPTorPF
4"	100.0	225.2	168.5	335	4" PTorNPTorPF