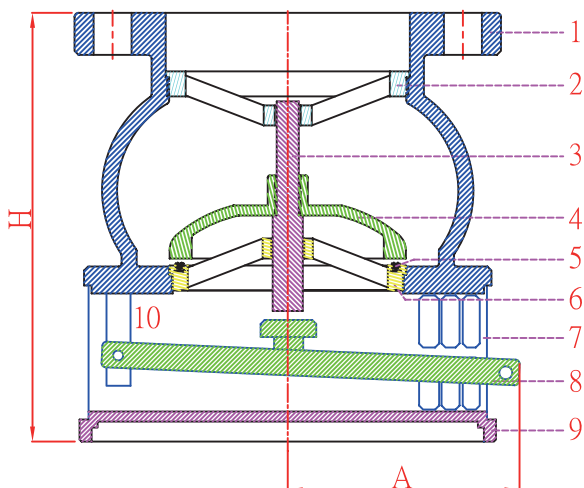


# FOOT VALVE (With Clean Lever)



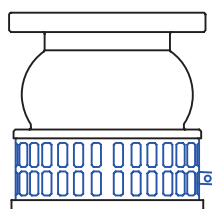
Foot valve is for use as inlet of suction pipe. A modified check valve that has a screen on the suction end to prevent debris from entering the pump or pipe. It protects against loss of prime, aids in priming the pump and protects the pump from large debris. (Only Vertical installation)

- ▶ Fluid : Water
- ▶ Max Working Pressure :  
 Cast Iron : 12 kg/cm<sup>2</sup>  
 Ductile Iron & Stainless Steel : 20 kg/cm<sup>2</sup>



	Part Name	Material		
1	Main Body	Cast Iron	Ductile Iron	Stainless Steel
2	Upper Seat	Brass	Brass	Stainless Steel
3	Shaft	Brass	Brass	Stainless Steel
4	Disc	Ductile Iron	Ductile Iron	Stainless Steel
5	Sealing	NBR	NBR	NBR
6	Seat	Brass	Brass	Stainless Steel
7	Screen	Stainless Steel	Stainless Steel	Stainless Steel
8	Clean Lever	Ductile Iron	Ductile Iron	Stainless Steel
9	Screen Seat	Ductile Iron	Ductile Iron	Stainless Steel
10	Lever Stand	Ductile Iron	Ductile Iron	Stainless Steel

FLANGE STANDARD: CLASS 150/ CLASS 300 ANSI  
(Flange End)



Model : FVF

Item No.	Size	H	A	Weight(kg)
FVF-50	2"	160	95	7
FVF-65	2.5"	165	105	8
FVF-80	3"	210	115	11
FVF-100	4"	215	125	14
FVF-125	5"	240	145	20
FVF-150	6"	275	160	27
FVF-200	8"	380	185	46



Model : FVT

(Thread End)

Item No.	Size	H	A	Weight(kg)
FVT-50	2"	160	95	5
FVT-65	2 1/2"	165	105	6