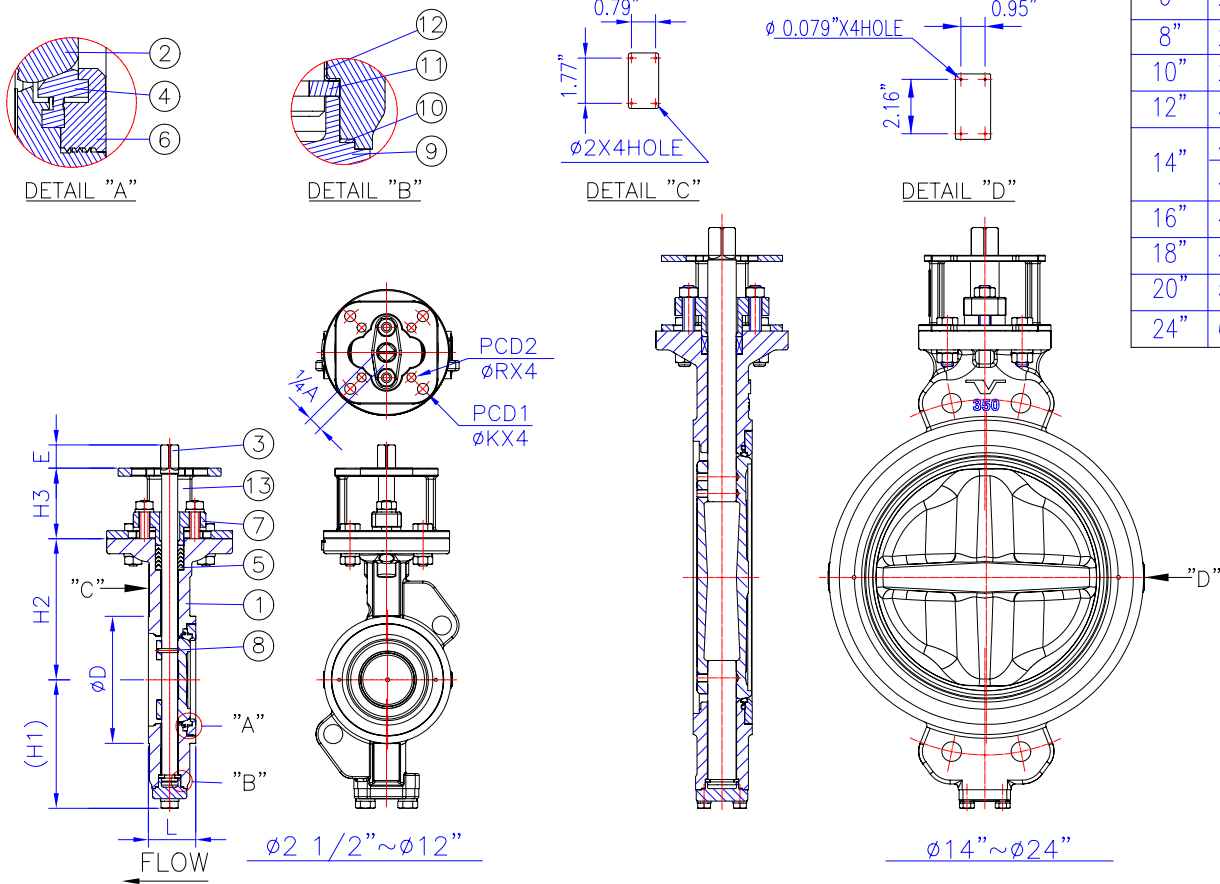


MATERIAL TABLE (ASTM)

DIMENSION TABLE

BODY	DISC	SEAT	STEM	SET RING	GLAND PACKING
A351 CF8	A351 CF8	PTFE	A564 630	A351 CF8	PTFE
A351 CF8M	A351 CF8M	RPTFE	A182 F304	A351 CF8M	RPTFE
A216 WCB			A182 F316		

SIZE	L	øD	H1	H2	H3	fA	PCD1	øK	PCD2	øR	E
2 1/2"	1.81"	4.25"	4.33"	4.92"	2.36"	0.43"	2.76"	0.35"	1.97"	0.28"	0.71"
3"	1.85"	4.96"	5.04"	5.51"	2.76"	0.55"	4.02"	0.43"	2.76"	0.35"	0.91"
4"	2.09"	6.02"	5.91"	6.18"	2.76"	0.55"	4.02"	0.43"	2.76"	0.35"	0.91"
5"	2.24"	7.24"	6.42"	6.69"	2.76"	0.67"	4.02"	0.43"	2.76"	0.35"	0.91"
6"	2.20"	8.35"	6.93"	7.28"	2.76"	0.67"	4.02"	0.43"	2.76"	0.35"	0.91"
8"	2.44"	10.55"	8.11"	8.66"	3.15"	0.75"	4.92"	0.55"	4.02"	0.43"	1.10"
10"	2.68"	12.83"	9.37"	10.24"	3.15"	0.87"	4.92"	0.55"	4.02"	0.43"	1.10"
12"	3.07"	14.76"	10.59"	11.42"	3.94"	1.06"	5.51"	0.71"	4.92"	0.55"	1.10"
14"	3.07" 3.62"	16.38"	12.05"	12.83"	3.94"	1.06"	5.51"	0.71"	4.92"	0.55"	1.46"
16"	4.02"	18.74"	13.46"	14.57"	4.72"	1.42"	6.50"	0.87"	5.51"	0.71"	1.85"
18"	4.49"	21.02"	14.57"	15.55"	4.72"	1.42"	6.50"	0.87"	5.51"	0.71"	1.85"
20"	5.00"	23.15"	15.71"	16.93"	4.72"	1.81"	6.50"	0.87"	5.51"	0.71"	2.20"
24"	6.06"	27.24"	17.91"	19.29"	5.91"	1.81"	10.00"	0.71"			2.20"



FACE TO FACE DIMENSIONS:
 ISO 5752 TABLE 5 SHORT.
 API 609 TABLE 2 CLASS 150LB
 MOUNTING FLANGE:ISO 5211
 PRESSURE CLASS :ASME 150LB.

FLANGE DIMENSION

PN 10	JIS 10K
PN 16	JIS 16K
PN 20	ANSI B16.5 150LB
PN 25	BS 10 Table E

13	YOKE	6"~20" 24"	1	ASTM A351 CF8 ASTM A536-65-45-12
12	BERING		1	SUS 316 + RPTFE
11	THRUST RING		1	ASTM A240 316
10	SEAL		1	PTFE
9	BOTTOM COVER		1	ASTM A351 CF8M
8	PIN	14"~24"	3	ASTM A182 F316
		10",12"	2	
		2.5"~8"	1	
7	GLAND		1	ASTM A351 CF8M
6	SET RING		1	SEE MATERIAL TABLE
5	GLAND PACKING		1	
4	SEAT		1	
3	STEM	14"~24" 2.5"~12"	2 1	
2	DISC		1	
1	BODY		1	
ITEM NO.	PART NAME	Q'TY	MATERIAL	



VALUE VALVES USA

GRAPEVINE, TEXAS 76051

TEL:(817) 421-5343

FAX:(817) 416-6270

DESN BY	CHK BY	AUTH BY	ISSUE DATE	93/2/26
			MATERIAL	
			SCALE	1/8
			UNIT	INCH

VF-910 BUTTERFLY VALVE			
2 1/2" thru 24" BARE SHAFT			
SIZE A4	DRAWING NO	T910000N01USA	REV 1