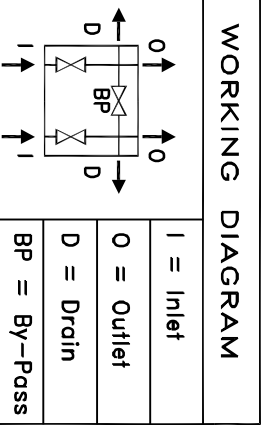
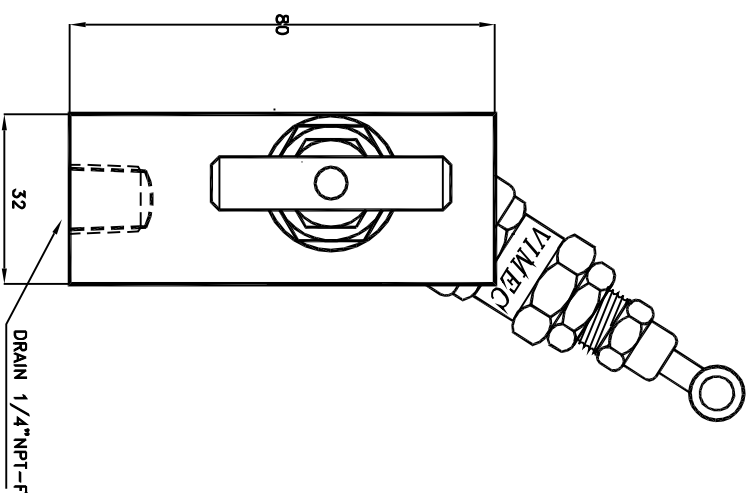
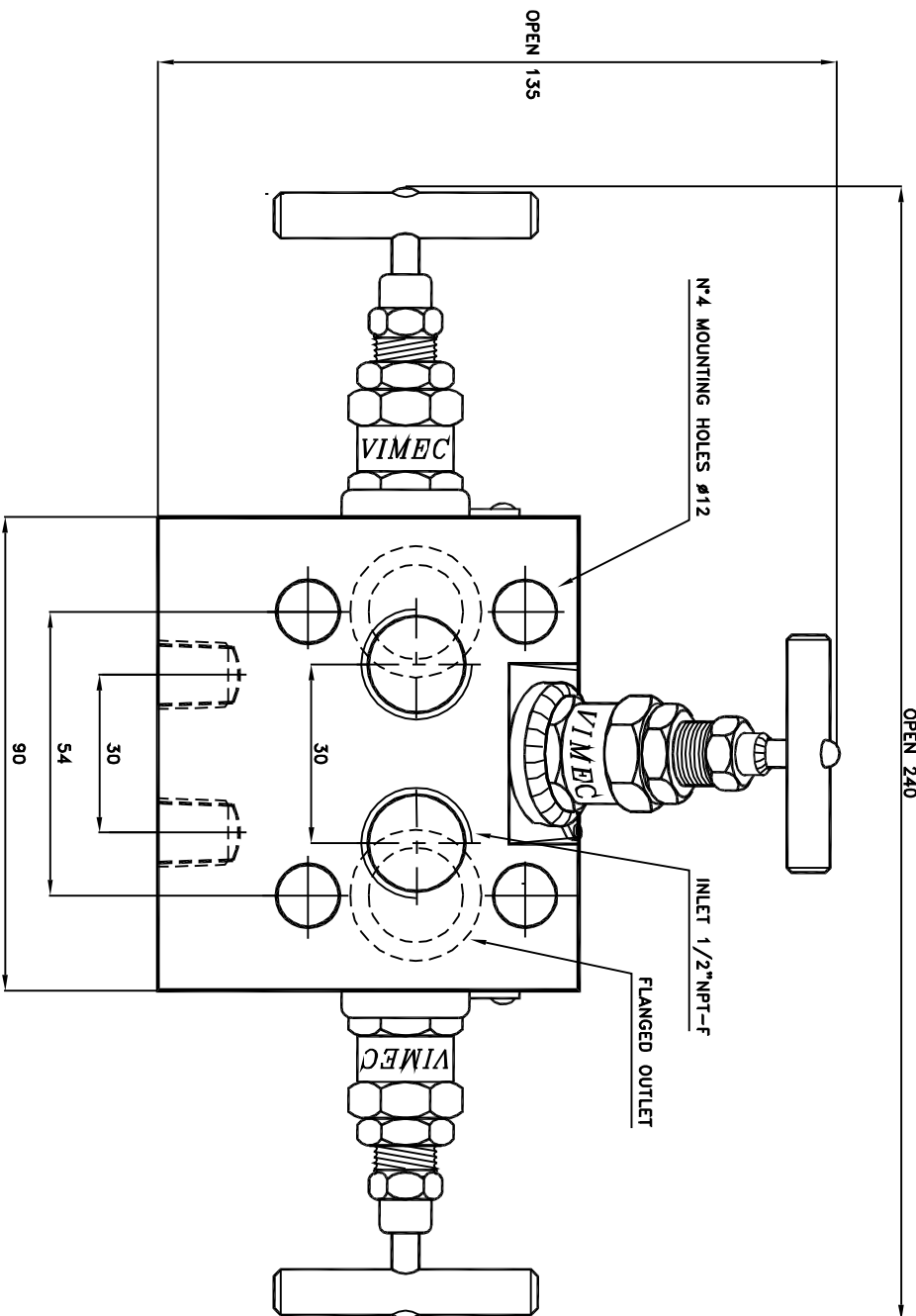


TYPE: VMC-304



WORKING DIAGRAM	
I = Inlet	
O = Outlet	
D = Drain	
BP = By-Pass	

1	BODY	AISI 316L
2	BONNET	AISI 316
3	PACKING	TEFLON
4	STEM	AISI 316
5	NEEDLE	AISI 316

Working pressure: 420 Bar
 Proof pressure: 630 Bar.
 Net weight: 1.9 Kg

Rev.	Date	Description
0	11/11/97	FIRST ISSUE
1		
2		
3		
4		
5		

VIMEC VALVES - INSTRUMENTS - MANIFOLDS - CONSTRUCTION
 VIMEC Srl - 20090 OPERA (Milano) ITALY
 Via Lambro, 62 - Telefono ++39 2.57602297

Drawing: A. Branzani
 Contr.: Ernesto Pignelli
 General Tolerance: ± 0,1
 Measurements in: Millimeters

Description: THREE VALVES INSTRUMENT MANIFOLD.
 1/2" NPT-F INLET X FLANGED OUTLET
 RATING: 6000 Lb

Number: VMC-304
 Date: 11/11/97
 Scale: Not to scale
 Page: _____

INTERNAL CODE: N° - 11.DN61.110