

CONE ▼ CHECK - Simple - Effective - Reliable general purpose check valve.

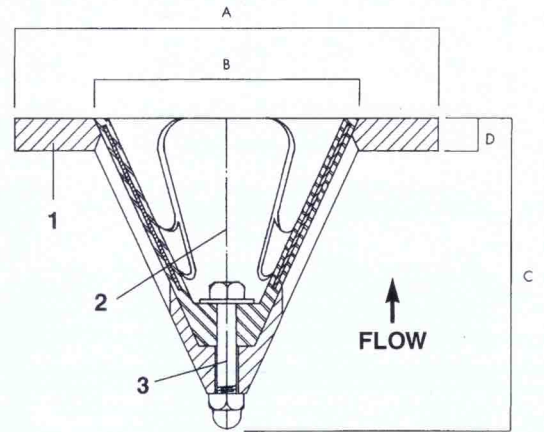
- ▼ No mechanical parts to seize or jam
- ▼ Three (3) generous apertures for abundant flow
- ▼ Stainless Steel sealing element for trouble-free shut off
- ▼ Proven in mining, industrial, irrigation, sewerage & domestic applications



CONE ▼ CHECK VALVES

The Valve

- ▼ Lightweight, low profile conical shape body designed for maximum strength and long service life.
- ▼ Simply Installed by bolting the valve between pipe flanges. No drilling is required. Suits vertical or horizontal installation.
- ▼ Suits AS 2129 table D & E and ANSI class 150 flanges.
- ▼ Internal sealing element is constructed from 316 Stainless Steel plates coated with natural rubber. Neoprene coating is available to special orders.
- ▼ Internal elements are fully replaceable and easily inserted.
- ▼ There is no metal to metal contact to cause excessive wear.



Item No.	Part Name	Material Type
1	Valve body	316 Stainless Steel, SG Iron, Bronze.
2	Sealing element	316 Stainless Steel - rubber coated.
3	Fixing bolt, nut & washer	316 Stainless Steel.

Valve Size	A Dia	B Dia	C	D	Mass.kg
100mm	160	100	116	12	1.4
150mm	216	150	173	18	4
200mm	270	200	215	24	10

The Performance



The working pressure is rated to 1400 kPa making Cone check ideal for most applications.

Working Pressure	Test Pressure
1400 kPa - 203 psi	2500 kPa - 363 psi

The performance graph shows the pressure drop is minimal.

The Applications

CONE ▼ CHECK can be used anywhere that a reliable, trouble-free non-return valve is required

- ▼ can be used in applications including very high/low pH, irrigation, drinking water and sea water.
- ▼ well suited to more difficult pumping situations such as slurry, sewerage, chemical process, mine dewatering and fluids containing solids or debris.
- ▼ drop tight at low head making them ideal for foot valve applications.
- ▼ larger valves can be custom made to any size.

Call our engineering team for further technical advice.

CONE ▼ CHECK VALVES

DISTRIBUTOR

Braeco
VALVES, ACTUATION AND CONTROLS